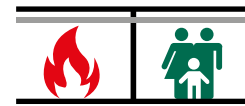
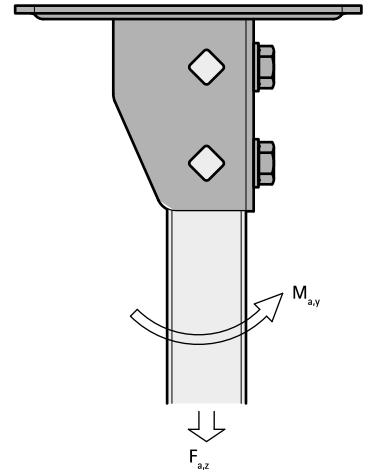


# BIS RapidStrut® Base Plate G2 (BUP1000)

(H 12 03)

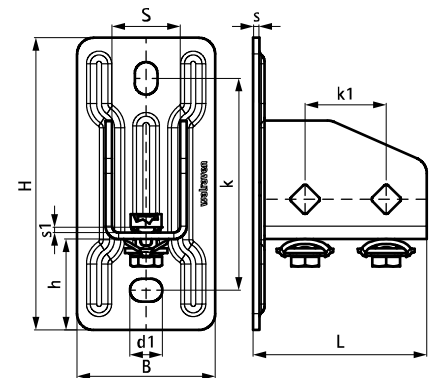


## Features and Benefits

- flexible base plate for Strut rails
- suitable for all Strut rail up to 82mm height
- open side of rails 41x41 can be turned to all sides
- at high loads we advise to install with throughbolts
- timesaving with pre-assembled fasteners
- tested for fire safety
- material: metal parts made of steel 1.0332; spring(s) made of POM (polyoxymethylene), green
- surface protection:
  - product is part of the BIS UltraProtect® 1000 system
  - suitable for in- and outdoor applications
  - stands min. 1,000 hours salt spray test (max. 5% red rust) according to ISO 9227

Part No.	L	B	H	h	s	d1	S	k	k1	F <sub>a,z</sub>	F <sub>a,z 2</sub>	M <sub>a,y</sub>	Pack 1
		(mm)	(mm)	(mm)	(mm)	(mm)	(mm)	(mm)	(mm)	(N)	(N)	(Nm)	
665885400	107 mm	85	180	56	4.0	20 x 14	42	130	50	3,636	5,151	485.0	10

*F<sub>a,z</sub>*: max. allowed load in combination with 2 slide nuts M10, tightened with 40 Nm.  
*F<sub>a,z 2</sub>*: max. allowed load in combination with 2 throughbolts M10, tightened with 40 Nm.  
*M<sub>a,y</sub>*: max. moment in combination with 2 throughbolts M10, tightened with 40 Nm.



### Complementary

- BIS RapidStrut® Fixing Rail DS 5 (BUP1000)
- BIS RapidStrut® Fixing Rail (BUP1000)
- BIS RapidStrut® Slide Nut

### Complementary

- BIS Washer (Flat) (BUP1000)
- BIS Hexagon Head Bolt (BUP1000)
- WCS1H Concrete Screw

### Alternative

- BIS Strut Base Plate Heavy Duty (BUP1000)