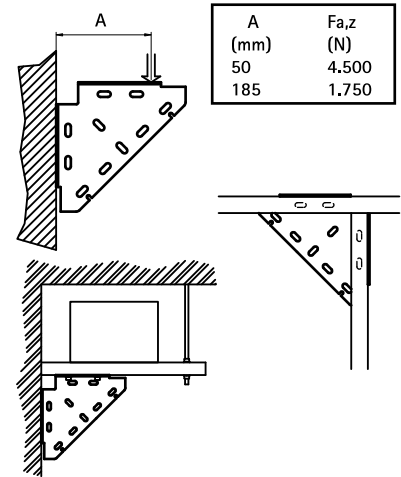


BIS RapidRail Corner Bracket (zp)

(G 20 25)

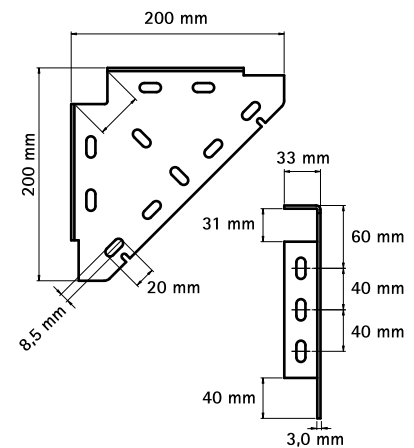
to make BIS RapidRail® fabrications



Features and Benefits

- one-part support
- for fixing support under, top or on side of a cantilever arm
- also used to strengthen rail constructions
- suitable for rail WMO, 1, 15, 2, 30
- material: steel
- zinc plated

Part No.	For Rail	Pack 1
6603010	WMO - 30	10
<i>Corner Bracket for WM35 Rail? See Part No. 66038020 (page H 16 35).</i>		



Complementary
RapidRail® Fixing Rail

Alternative
BIS RapidRail Construction Bracket (zp)