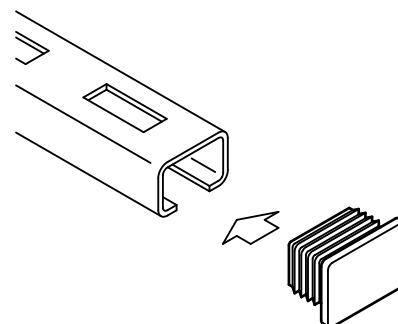


BIS Rail End Cap – WM3

finishing of BIS WM3 Rail

(G 45 20)



Features and Benefits

- for clean finishing of rail end, covers all burrs
- material: PE (polyethylene)
- easy to fix securely

Part No.	For Rail	Pack 1	Pack 2
6566003	WM3 (50x40 mm)	15	150