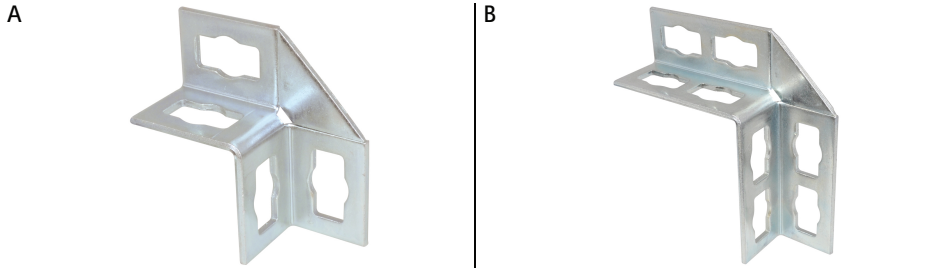


BIS PushStrut Connector 90°

(H 29 20)

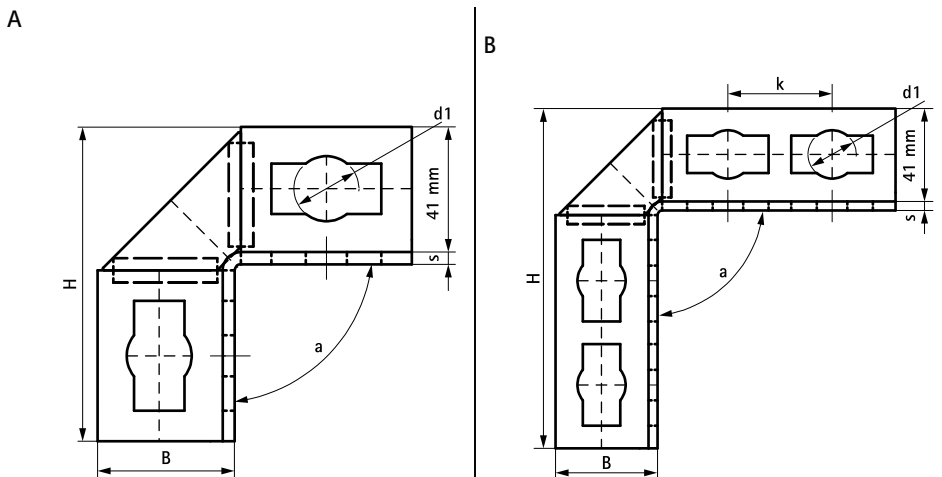
for easy installation of complex rail constructions



Features and Benefits

- easily combined with all common Strut profiles
 - lateral edges offers great stability
 - flexible use of hole pattern (flexible twist of hole pattern possible)
 - timesaving and flexible
 - easy to remove and reusable
 - 3D constructions due to 3D Connectors
- material: steel
 - zinc plated

Part No.	Model	B (mm)	H (mm)	s (mm)	d1 (mm)	k (mm)	a (°)	Pack 1
A 6594010	2-2	45	103	4.0	21	-	90	10
B 6594015	4-4	45	150	4.0	21	46	90	10



Complementary

BIS RapidStrut® Fixing Rail (pg)
BIS PushStrut Button