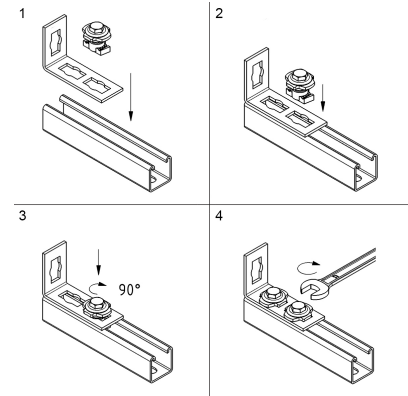


BIS PushStrut Button

(H 29 05)

for easy installation of complex rail constructions

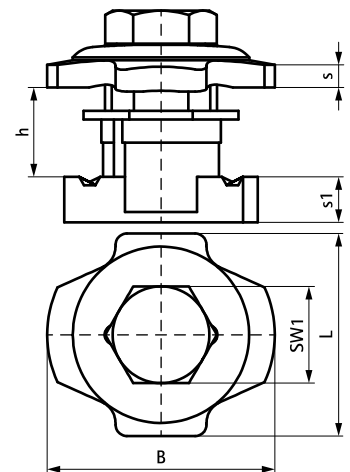


Features and Benefits

- universal button: easily combined with all common Strut profiles and all BIS PushStrut Connectors
 - teeth with force fit connections offer more stability
 - timesaving and flexible
 - easy to remove and reusable
 - 3D constructions due to 3D Connectors
- material: steel
■ zinc plated

Part No.	L	B	h	s	s1	SW1	F _{a,z}	F _{a,x}	Pack 1
		(mm)	(mm)	(mm)	(mm)	(mm)	(N)	(N)	
66519910	36 mm	40	15	4.0	8.0	17	5,000	3,000	50

The max. allowed load (F_{a,z}) in the table refers to rails and cantilever arms with a material thickness of 2.5 mm. The F_{a,z} at a thickness of 2.0 mm profile thickness = 4,500 N. The F_{a,z} at a thickness of 1.5 mm profile thickness = 3,500 N.



Complementary

- BIS RapidStrut® Fixing Rail (pg)
- BIS PushStrut Connector Flat
- BIS PushStrut Connector Angle Bracket

Complementary

- BIS PushStrut Connector 90°
- BIS PushStrut T-Connector
- BIS PushStrut 3D Connector