

# BIS Mengering<sup>®</sup> Fix

for pipe DN 50 - DN 125

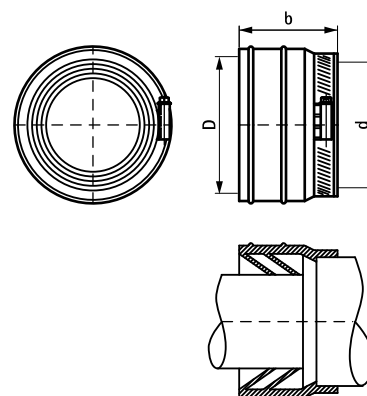
(N 15 05)



## Features and Benefits

- use BIS Mengering<sup>®</sup> Lubricant when fixing
- for use up to 0.5 bar internal pressure
- to connect pipes of unequal diameter or different material
- no damage to corrugated sheet (suitable for every thickness)
- locking screw: hexagon head screw with crosshead
- material: EPDM rubber, black; hose clip made of stainless steel 1.4016
- no noise transmission from pipe to pipe
- tested according to DIN 4060

| Part No. | D<br>(mm) | DN  | d<br>(mm) | b<br>(mm) | Pack 1 |
|----------|-----------|-----|-----------|-----------|--------|
| 7460050  | 58        | 50  | 40 - 56   | 63        | 50     |
| 7460070  | 78        | 70  | 56 - 75   | 77        | 50     |
| 7460080  | 83        | 80  | 75 - 90   | 85        | 20     |
| 7460100  | 110       | 100 | 104 - 110 | 95        | 20     |
| 7460125  | 135       | 125 | 125 - 135 | 135       | 10     |



Complementary  
BIS Mengering<sup>®</sup> Lubricant