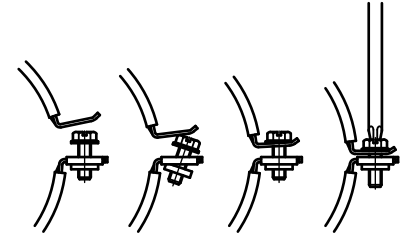


BIS KSB2 Clamp

for metal pipes 12 - 169 mm

M8/10

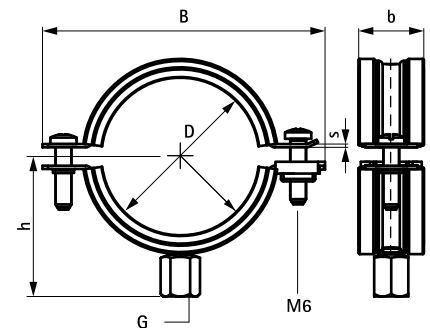
(A 05 112)



Features and Benefits

- two-screw clamp
- with quick locking system, type KSB
- clamp easy to close with one hand
- material: steel
- zinc plated
- noise insulating lining, EPDM rubber, black
- age resistant lining
- sound insulating lining according to DIN 4109

Part No.	D (mm)	D (°)	DN	G	B (mm)	h (mm)	b x s (mm)	F _{a,z} (N)	Pack 1
339 2 014	12 - 14	-	-	M8/10	61	29	20 x 1.25	300	50
339 2 018	15 - 19	3/8	10	M8/10	65	31	20 x 1.25	300	50
339 2 023	20 - 23	1/2	15	M8/10	69	33	20 x 1.25	300	50
339 2 028	25 - 28	3/4	20	M8/10	74	36	20 x 1.25	300	50
339 2 035	31 - 35	1	25	M8/10	82	40	20 x 1.25	300	50
339 2 043	40 - 43	1 1/4	32	M8/10	90	44	20 x 1.25	300	50
339 2 049	44 - 49	1 1/2	40	M8/10	96	47	20 x 1.25	350	50
339 2 056	50 - 56	-	-	M8/10	103	50	20 x 1.25	350	50
339 2 062	57 - 61	2	50	M8/10	108	53	20 x 1.25	350	50
336 2 067	63 - 67	-	-	M8/10	119	56	23 x 2.00	1,000	50
336 2 071	68 - 71	-	-	M8/10	124	58	23 x 2.00	1,000	50
336 2 080	75 - 80	2 1/2	65	M8/10	131	62	23 x 2.00	1,000	50
336 2 091	86 - 91	3	80	M8/10	143	68	23 x 2.00	1,000	50
336 2 106	100 - 106	-	-	M8/10	155	74	23 x 2.00	1,000	50
336 2 116	108 - 116	4	100	M8/10	167	80	23 x 2.00	1,000	25
336 2 132	124 - 132	-	-	M8/10	181	87	23 x 2.00	1,000	25
336 2 141	133 - 141	5	125	M8/10	191	92	23 x 2.00	1,000	25
336 2 169	159 - 169	6	150	M8/10	218	105	23 x 2.00	1,000	20



Complementary
 BIS RapidRail® Fixing System
 BIS Fixing Accessories
 BIS Fastenings

Alternative
 BISMAT® 2000