

BIS IKS-2000[®] Text Card Holder Set

(N 30 06)

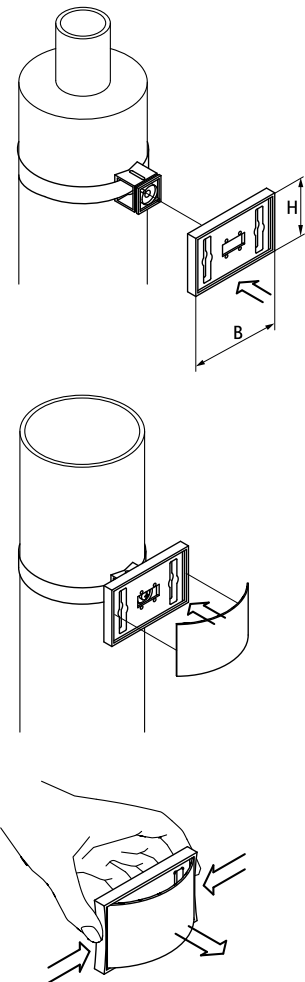
to fix with tie-wrap



Features and Benefits

- complete set for pipe identification
- including tie-wrap 780 x 9 mm to fix around pipes with an outer diameter of up to 225 mm (with 100% isolation acc. EnEV2014 or DIN 4108-4:2013 the max diameter is DN50)
- including transparent cover
- temperature resistance from -15 °C to +80 °C
- material: mounting cube made of PA (polyamide - nylon6); text card holder made of PP (polypropylene)
- with provided template service to print text cards (www.walraven.com)

Part No.	Model	B (mm)	H (mm)	Pack 1	Pack 2
0200007	Text Card Holder with transparent cover and tie-wrap (780 x 9 mm)	86	54	10	50



Alternative

BIS IKS-2000[®] Text Card Holder