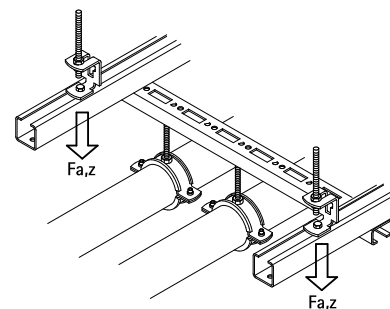


# BIS Height Adjuster

(K 25 25)



## Features and Benefits

- 30 mm continuously variable height adjustable
- zinc plated
- for stud bolt M8 or M10
- can also be used as rail suspension element
- material: steel 1.0332

Part No.	R	F <sub>a,z</sub> (N)	Pack 1
6793810	M8 - M10	1,690	50

