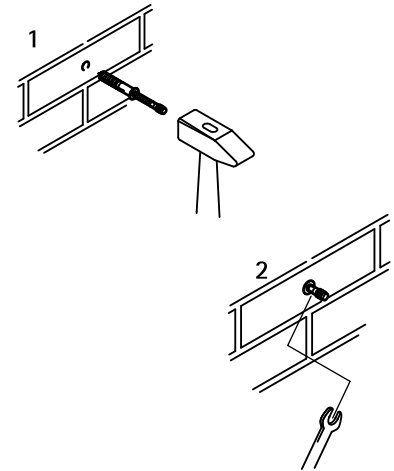


BIS Hammer-in Stud

fixing to wall or ceiling

(L 15 10)



Features and Benefits

- impact head to prevent head damage
- with hexagon for fine setting
- plug with shoulder
- material: hammer-in stud made of steel; plug made of PA (polyamide), grey
- zinc plated

Part No.	G	L	Lm1 (mm)	Pack 1	Pack 2
6223808	M8	80 mm	14	100	500
6223810	M8	100 mm	34	100	500
6223812	M8	120 mm	34	100	500
6223815	M8	150 mm	50	100	500

