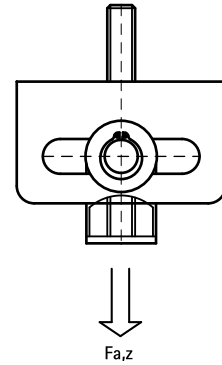
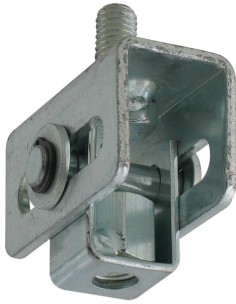


BIS Expansion Joint

fixing with sliding assemblies

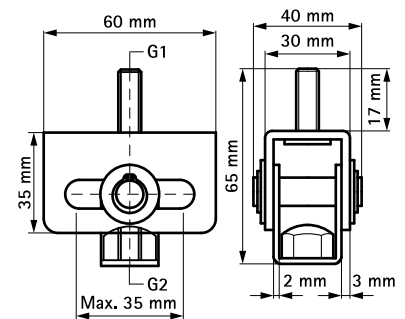
(E 10 15)



Features and Benefits

- for installations with a length extension, for guiding pipe clamps
- low space requirement for the ceiling; can only be used for ceiling mounting (hanging)
- economical solution when low expansion
- compatible with all Walraven rail systems
- material: steel
- zinc plated

Part No.	G1	G2	$F_{a,z}$ (N)	Pack 1
6653310	M10	M8/10	1,500	50



Complementary

Walraven Stud Bolt
Walraven Threaded Rod
WDI1 Drop-in Anchor

Alternative

BIS Expansion Device (BUP1000)
BIS Expansion Device