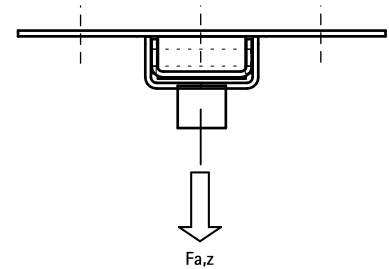


BIS Expansion Device (BUP1000)

(E 10 35)

fixing with sliding assemblies

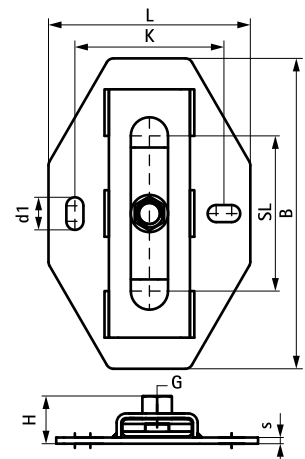


Features and Benefits

- single support for pipe expansion
- secure parts ensure mechanism will not slide out
- fix directly on the building structure or in combination with rail systems
- suitable for ceiling mounting (suspended) and floor mounting (standing mounted)
- very low installation height, useful in small spaces
- a variety of connection possibilities, can be combined with Bifix® G2 or HD1501 Pipe Clamps
- material: metal parts made of steel; plastic parts made of POM (polyoxymethylene)
- tested for fire safety according to EN 1363-1
- friction coefficient $\mu = 0.18$; Sliding friction coefficient $\mu = 0.14$
- surface protection:
 - product is part of the Walraven BIS UltraProtect® 1000 system
 - suitable for in- and outdoor applications
 - stands min. 1,000 hours salt spray test (max. 5% red rust) according to ISO 9227
 - temperature resistance up to +120 °C



Part No.	Model	G	L	B	H	s	d1	k	SL (max.)	F _{a,z} (N)	Pack 1
			(mm)	(mm)	(mm)	(mm)	(mm)	(mm)	(mm)		
6668310	Single	M8/10	130 mm	200	30.5	4.0	21 x 11	96	100	3,500	5
6668312	Single	M10/12	130 mm	200	32.5	4.0	21 x 11	96	100	4,800	5
6668316	Single	M16	130 mm	200	30.5	4.0	21 x 11	96	100	4,800	5



Complementary

- Walraven Stud Bolt
- Walraven Threaded Rod
- WTB1 Throughbolt Anchor

Alternative

BIS Expansion Guide Assembly (BUP1000)