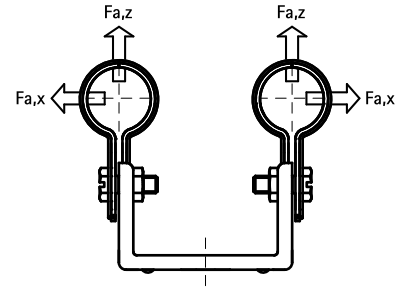


BIS Duplo Double Clamp

for steel heating pipes 15.0 - 33.7 mm

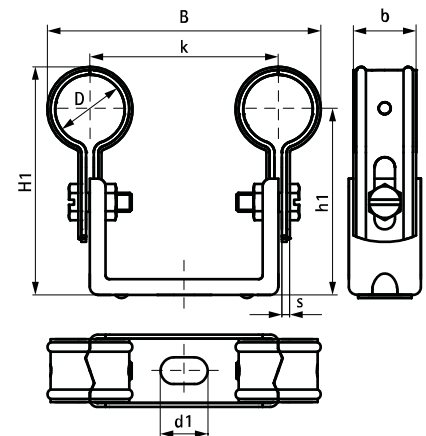
(B 20 05)



Features and Benefits

- two clamps on connection bracket
- for fixing of two pipes
- space saving
- two parts of the clamp interlock
- bracket reinforced for extra strength
- tube insulation can easily be fitted
- pre-galvanized
- adjustable distance between pipe and wall
- material: steel

Part No.	D (mm)	D (°)	DN	B (mm)	b (mm)	s (mm)	d1 (mm)	k (mm)	H1 (mm)	h1 (mm)	F _{a,z} (N)	F _{a,x} (N)	Pack 1
3205015	15.0	-	-	79	20	1.5	8.5 x 15	60	58 - 74	48 - 64	100	200	50
3205022	22.0	1/2	15	89	20	1.5	8.5 x 15	60	65 - 81	51 - 67	100	200	50
3205028	28.0	3/4	20	93	20	2.0	8.5 x 15	60	52 - 68	68 - 84	110	330	25
3205033	33.7	1	25	98	20	2.0	8.5 x 15	60	78 - 94	57 - 73	110	330	25



Alternative

BIS Duplo Double Clamp with Lining
BIS Duplo KS