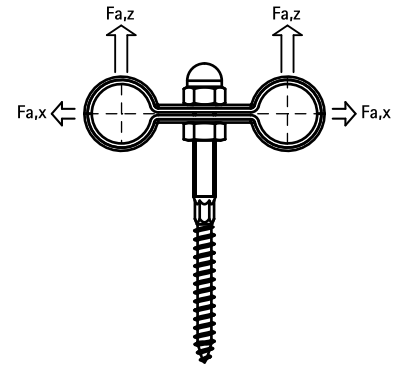


BIS Double Wall Clamp

for steel heating pipes 15 - 28 mm

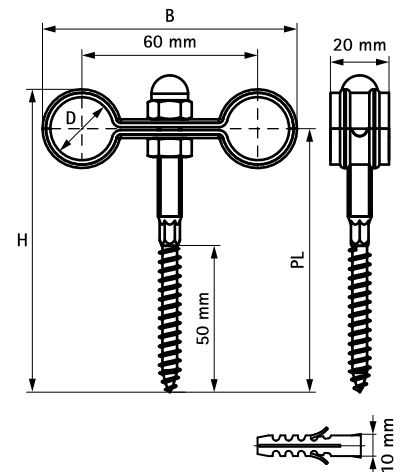
(B 20 15)



Features and Benefits

- for fixing of two pipes
 - two parts of the clamp interlock
 - bolt-wood screw with shoulder, making a lock nut unnecessary
 - pre-galvanized
- material: steel

Part No.	D (mm)	D (°)	DN	B (mm)	H (mm)	PL (mm)	F _{a,z} (N)	F _{a,x} (N)	Pack 1
3505015	15	-	-	80	100	90	230	200	50
3505022	22	1/2	15	87	104	90	230	200	50
3505028	28	3/4	20	93	107	90	230	330	50
3515015	15	-	-	80	120	110	230	200	25
3515022	22	1/2	15	87	124	110	230	200	25
3515028	28	3/4	20	93	127	110	230	330	25



Alternative

- BIS Double Wall Clamp with Lining
- BIS Duplo Double Clamp