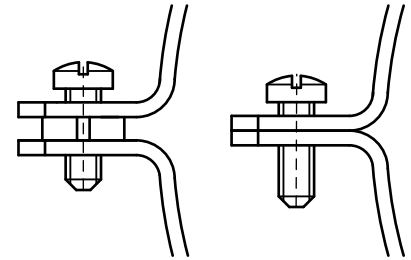


BIS Bifix[®] 415 Stainless Steel

for plastic pipes Ø 32 - 200 mm

M8

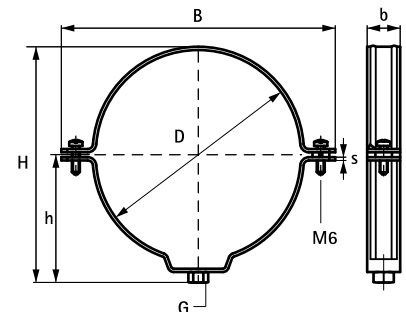
(M 15 05)



Features and Benefits

- two-screw clamp
- with quick locking system
- with removable spacer washers, making the clamp suitable for either sliding or anchoring
- inside profile to protect pipes from damage
- material: stainless steel 1.4404 (AISI 316L)

Part No.	D (mm)	DN	G	B (mm)	H (mm)	h (mm)	b x s (mm)	F _{a,z} (N)	Pack 1
4157032	32	25	M8	71	53	32	20 x 1.5	1,310	25
4157040	40	32	M8	85	61	36	20 x 1.5	1,310	25
4157050	50	40	M8	96	63	40	20 x 1.5	1,310	25
4157070	70	-	M8	109	89	50	20 x 1.5	1,310	25
4157075	75	70	M8	114	94	54	20 x 1.5	1,310	25
4157080	80	-	M8	119	101	56	20 x 1.5	1,310	25
4157090	90	80	M8	129	109	61	20 x 1.5	1,310	25
4157100	100	-	M8	139	119	66	20 x 1.5	1,310	25
4157110	110	100	M8	149	129	71	20 x 1.5	1,310	25
4157125	125	125	M8	164	145	80	20 x 1.5	1,310	25
4157160	160	150	M8	208	180	96	20 x 1.5	1,310	25
4157200	200	200	M8	247	221	117	20 x 1.5	1,310	25



Complementary

BIS Stainless Steel Hanger Bolt