

# BIS Aluminium Clamp for Flues

(F20 05)

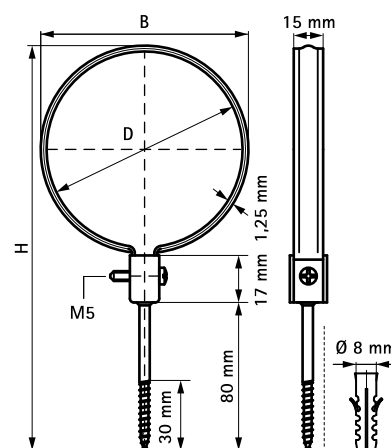
for flues  $\varnothing$  70 - 150 mm



## Features and Benefits

- one-part clamp with pre-assembled threaded shoulder wood screw
- material: clamp made of aluminium 3.0255; connector made of plastic
- connector temperature resistance to approx. 110 °C

Part No.	D (mm)	B (mm)	H (mm)	F <sub>a,z</sub> (N)	Pack 1
4109080	80	84	180	450	25
4109100	100	107	200	450	25
4109110	110	114	210	450	25
4109130	130	134	230	450	25
4109150	150	154	250	450	25



## Alternative

BIS Aluminium Clamp for Spiral Ducts