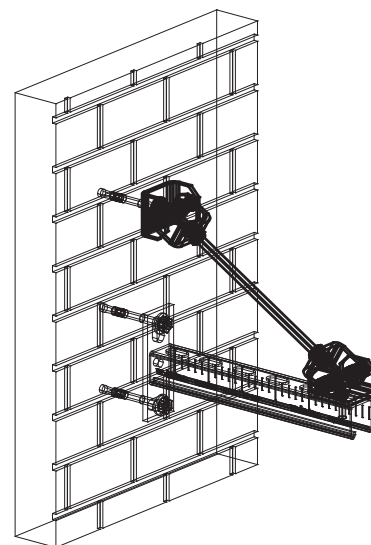


BIS Adjustable Support (BUP1000)

(H 12 53)

fixing to wall



Features and Benefits

- especially for angled installations with bracings
- suitable for fixing to walls or fixing rails
- adjustable angle up to 90°
- with two holes Ø13 mm
- material: steel
- surface protection:
 - product is part of the Walraven BIS UltraProtect® 1000 system
 - suitable for in- and outdoor applications
 - stands min. 1,000 hours salt spray test (max. 5% red rust) according to ISO 9227

Part No.	L	B	H	d1	d2	For Rail	F _{a,z}	ST	Pack 1
		(mm)	(mm)	(mm)	(mm)		(N)		
66588818	50 mm	78	63	Ø 13.0	Ø 13.0	Strut	5,000	BIS UltraProtect® 1000	10

Max. allowed load: when used at an angle of 45° on wall/ceiling.

