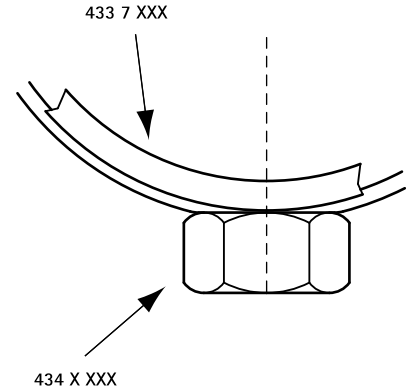


BIS 434 Stainless Steel Clamp

(M 15 10)

for PE-pipes \varnothing 32 - 200 mm

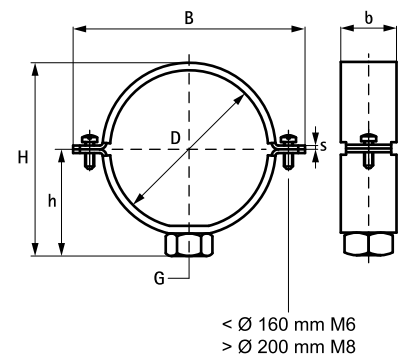
M10



Features and Benefits

- two-screw clamp
- for rigid fixing point fastening it is necessary to use metal clamp liners (Part No. 4337XXX)
- screws secured with anti-loss washer
- material: stainless steel 1.4401 (AISI 316)

| Part No. | D (mm) | DN | G | B (mm) | H (mm) | h (mm) | b x s (mm) | F _{a,z} (N) | Pack 1 |
|----------|-----------|-----|-----|-----------|-----------|-----------|---------------|-------------------------|--------|
| 4347032 | 32 | 25 | M10 | 75 | 50 | 30 | 30 x 3.0 | 4,160 | 50 |
| 4347040 | 40 | 32 | M10 | 82 | 58 | 34 | 30 x 3.0 | 4,160 | 50 |
| 4347050 | 50 | 40 | M10 | 92 | 69 | 39 | 30 x 3.0 | 4,160 | 50 |
| 4347063 | 63 | 57 | M10 | 105 | 81 | 45 | 30 x 3.0 | 4,160 | 50 |
| 4347075 | 75 | 70 | M10 | 117 | 94 | 51 | 30 x 3.0 | 4,160 | 25 |
| 4347090 | 90 | 80 | M10 | 132 | 108 | 59 | 30 x 3.0 | 4,160 | 25 |
| 4347110 | 110 | 100 | M10 | 152 | 128 | 69 | 30 x 3.0 | 4,160 | 25 |
| 4347125 | 125 | 125 | M10 | 167 | 143 | 76 | 30 x 3.0 | 4,160 | 25 |
| 4347160 | 160 | 150 | M10 | 202 | 178 | 92 | 30 x 3.0 | 4,160 | 25 |
| 4347200 | 200 | 200 | M10 | 278 | 218 | 112 | 30 x 3.0 | 4,160 | 10 |
| 4387200 | 200 | 200 | G1" | 278 | 251 | 147 | 30 x 3.0 | 3,180 | 25 |
| 4387250 | 250 | 250 | G1" | 330 | 301 | 172 | 30 x 3.0 | 3,180 | 10 |



Complementary

BIS Stainless Steel Wall Plate Resistance Welded
BIS Stainless Steel Hanger Bolt
BIS Metal Liner 434 Clamp

Complementary

BIS Lining 434 Clamp