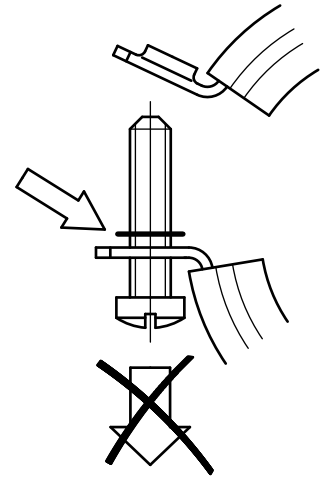


2S Clamp with Lining (M8/10/G $\frac{1}{2}$ "

(A 05 148)

for metal pipes 15 - 168 mm

M8/10/G $\frac{1}{2}$ "



Features and Benefits

- two-screw clamp
- 3T multiple thread
- screws secured with anti-loss washer
- material: steel
- zinc plated
- noise insulating lining, EPDM rubber, black
- age resistant lining
- sound insulating lining according to DIN 4109

Part No.	D (mm)	D (°)	DN	G	B (mm)	H (mm)	h (mm)	b x s (mm)	F _{a,z} (N)	Pack 1
333 6 019	15 - 19	3/8	10	M8/10/G $\frac{1}{2}$ "	58	60	45	20 x 1.25	220	50
333 6 023	20 - 23	1/2	15	M8/10/G $\frac{1}{2}$ "	63	65	48	20 x 1.25	220	50
333 6 030	25 - 28	3/4	20	M8/10/G $\frac{1}{2}$ "	68	70	50	20 x 1.25	220	50
333 6 035	31 - 35	1	25	M8/10/G $\frac{1}{2}$ "	75	77	54	20 x 1.25	220	50
333 6 043	40 - 43	1 1/4	32	M8/10/G $\frac{1}{2}$ "	83	85	57	20 x 1.25	220	50
333 6 049	44 - 49	1 1/2	40	M8/10/G $\frac{1}{2}$ "	92	90	58	20 x 1.25	220	50
333 6 056	50 - 56	-	-	M8/10/G $\frac{1}{2}$ "	97	96	62	20 x 1.25	220	50
333 6 063	57 - 63	2	50	M8/10/G $\frac{1}{2}$ "	102	101	65	20 x 2.00	220	50
333 6 067	63 - 67	-	-	M8/10/G $\frac{1}{2}$ "	112	113	71	25 x 2.50	220	50
333 6 074	76 - 80	2 1/2	65	M8/10/G $\frac{1}{2}$ "	127	128	79	25 x 2.50	220	50
333 6 091	86 - 91	3	80	M8/10/G $\frac{1}{2}$ "	139	139	85	25 x 2.50	430	50
333 6 105	100 - 105	-	-	M8/10/G $\frac{1}{2}$ "	153	152	91	25 x 2.50	750	25
333 6 116	108 - 116	4	100	M8/10/G $\frac{1}{2}$ "	161	160	95	25 x 2.50	750	25
333 6 119	119 - 123	-	-	M8/10/G $\frac{1}{2}$ "	172	171	100	25 x 2.50	750	25
333 6 130	125	-	-	M8/10/G $\frac{1}{2}$ "	176	178	104	25 x 2.50	750	25
333 6 132	131 - 135	-	-	M8/10/G $\frac{1}{2}$ "	181	180	105	25 x 2.50	750	25
333 6 141	136 - 139	5	125	M8/10/G $\frac{1}{2}$ "	190	189	109	25 x 2.50	750	25
333 6 168	159 - 168	6	150	M8/10/G $\frac{1}{2}$ "	232	220	125	25 x 3.00	1,220	15

