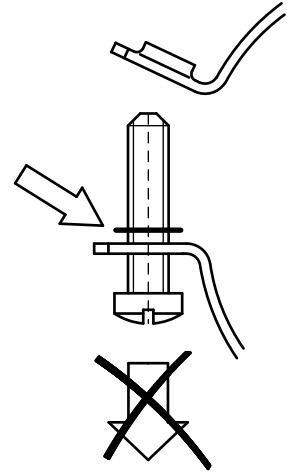


# BIS 2S Clamp (M8/10, G $\frac{1}{2}$ " )

(B 05 30)

for steel pipes 15 - 118 mm

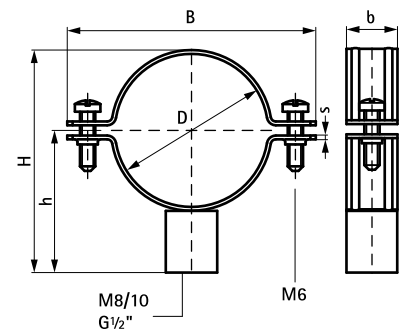
M8/10 - G $\frac{1}{2}$ "



## Features and Benefits

- two-screw clamp
- screws secured with anti-loss washer
- material: steel
- zinc plated

Part No.	D (mm)	D (")	DN	G	B (mm)	H (mm)	h (mm)	b x s (mm)	F <sub>az</sub> (N)	Pack 1
330 6 017	15 - 17	$\frac{3}{8}$	10	M8/10 - G $\frac{1}{2}$ "	51	49	40	20 x 1.50	1,110	50
330 6 022	18 - 22	$\frac{1}{2}$	15	M8/10 - G $\frac{1}{2}$ "	55	55	43	20 x 1.25	1,110	50
330 6 030	26 - 30	$\frac{3}{4}$	20	M8/10 - G $\frac{1}{2}$ "	63	63	47	20 x 1.25	1,110	50
330 6 034	32 - 34	1	25	M8/10 - G $\frac{1}{2}$ "	68	67	49	20 x 1.25	1,110	50
330 6 045	41 - 45	$1\frac{1}{4}$	32	M8/10 - G $\frac{1}{2}$ "	79	78	54	20 x 1.25	1,110	50
330 6 051	47 - 51	$1\frac{1}{2}$	40	M8/10 - G $\frac{1}{2}$ "	83	83	56	20 x 1.25	1,240	50
330 6 062	58 - 62	2	50	M8/10 - G $\frac{1}{2}$ "	99	97	64	20 x 2.00	1,240	50
330 6 076	72 - 76	$2\frac{1}{2}$	65	M8/10 - G $\frac{1}{2}$ "	112	110	70	25 x 2.50	1,470	50
330 6 089	85 - 89	3	80	M8/10 - G $\frac{1}{2}$ "	127	125	78	25 x 2.50	1,470	50
330 6 105	100 - 105	-	-	M8/10 - G $\frac{1}{2}$ "	142	140	85	25 x 2.50	1,470	50
330 6 118	110 - 118	4	100	M8/10 - G $\frac{1}{2}$ "	153	154	92	25 x 2.50	1,800	25



## Alternative

2S Clamp with Lining (M8/10/G $\frac{1}{2}$ " )