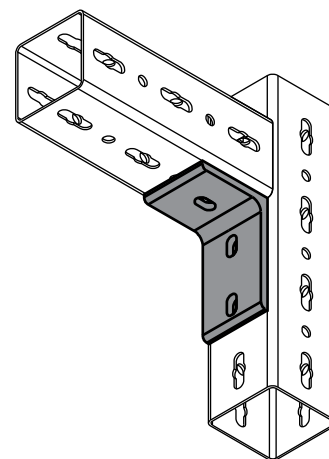


Maxx Profile Connector 90°

(H2 05 15)

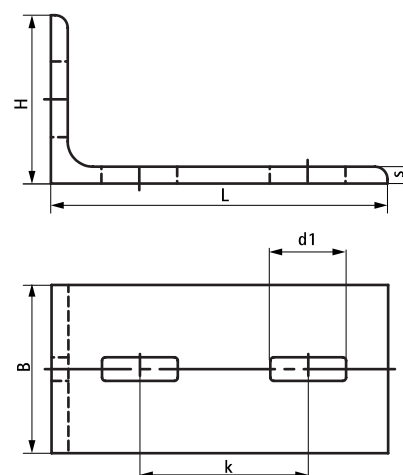
for perpendicular connecting profiles



Features and benefits

- for perpendicular connection to Heavy Rail Profiles
- with slotted holes for easy fixing
- material: steel
- hot dip galvanized

Part No.	Model	Type	L	B (mm)	H (mm)	s (mm)	d1 (mm)	k (mm)	Weight (kg)	Pack 1
6681015	3 holes	IPC90/3	150 mm	100	100	10.0	27 x 15	75	1,90	1



Complementary
Maxx Heavy Rail Profile