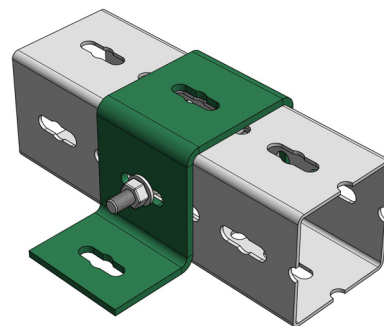
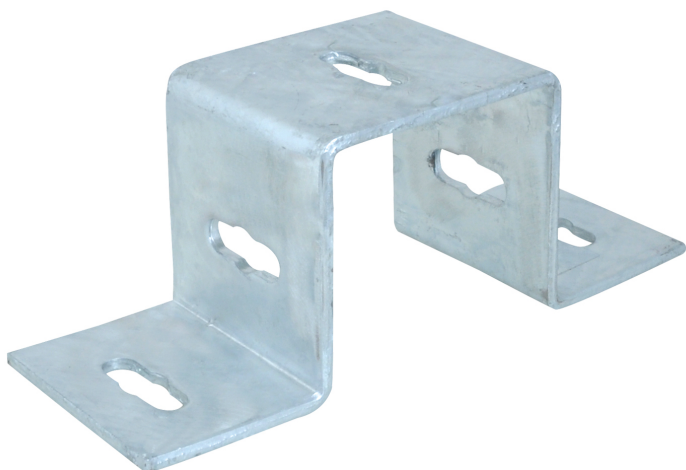


Maxx Cross Connector

for cross connecting profiles

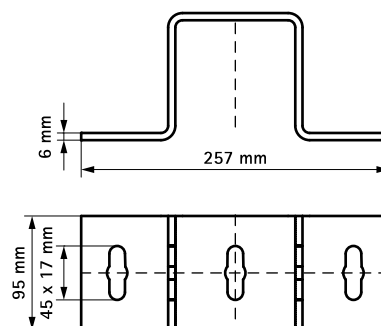
(H2 05 50)



Features and benefits

- to aid fabrication with Heavy Rail Profiles
- material: steel
- hot dip galvanized

| Part No. | Type | Pack 1 |
|----------|---------|--------|
| 6589101 | IPCC100 | 1 |



Complementary
Maxx Heavy Rail Profile