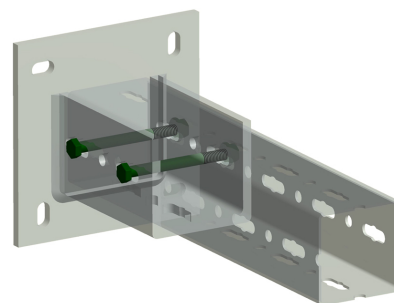
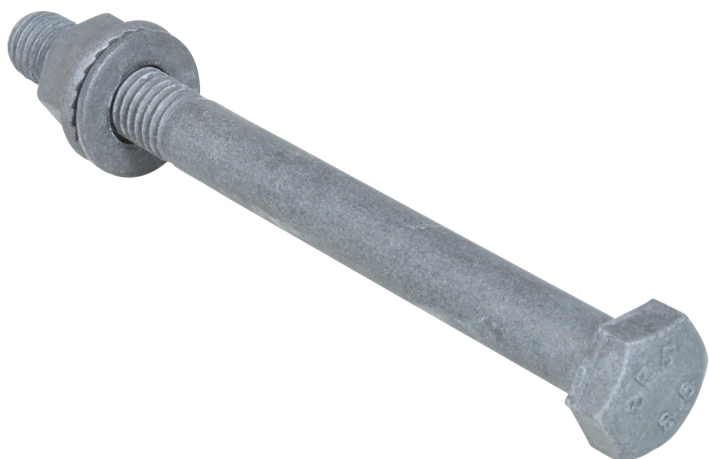


Maxx Bolt Set (ZTD)

for fixing to Maxx Heavy Rail Profiles

(H2 05 28)



Features and benefits

- for fixing in profile perforation
- the bolt size is ideally suited to fit the perforation of Maxx Heavy Rail Profile
- max. torque is 80Nm
- hexagon nut with collar
- material: steel, strength class 8.8
- surface treatment: Zink-Thermo-Diffusion
- consists of:
 - 1 bolt
 - 1 nut
 - 1 washer

Part No.	Model	G	L	Pack 1
6145 8 1213	Maxx 100 Bolt Set	M12	140 mm	25
6145 8 1216	Maxx 120 Bolt Set	M12	160 mm	25
6145 8 1614	Maxx 100 Bolt Set	M16	140 mm	25
6145 8 1616	Maxx 120 Bolt Set	M16	160 mm	25



Complementary

Maxx Heavy Rail Profile
 Maxx Wall Plate
 Maxx Profile Connector 90°

Complementary

Maxx Linear Connector
 Maxx T-Connector
 Maxx Cross Connector