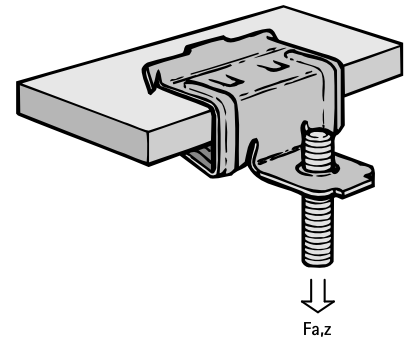


Britclips® FCR M6

for flange 5 - 16 mm

(J 05 35)

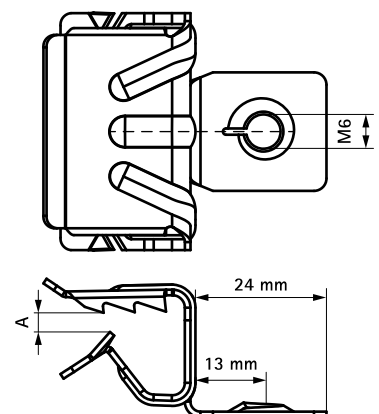


Features and benefits

- for a solid fixing to steel construction without the need for welding or drilling
- material: spring steel (type CS70)
- with female thread M6
- surface treatment: Delta-Tone 9000 (480 hours)

| Part No. | Code | A (mm) | R | F _{a,z} (N) | Pack 1 | Pack 2 |
|----------|----------|-----------|----|-------------------------|--------|--------|
| 50425609 | FCR8 M6 | 4 - 8 | M6 | 200 | 100 | 400 |
| 50425616 | FCR14 M6 | 8 - 14 | M6 | 200 | 100 | 400 |

For use with static loads only.



Complementary
Walraven Stud Bolt
Walraven Threaded Rod