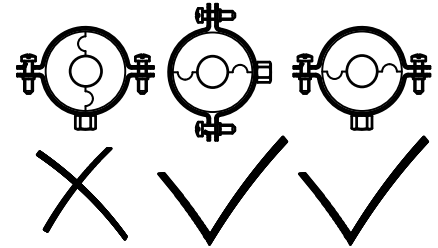
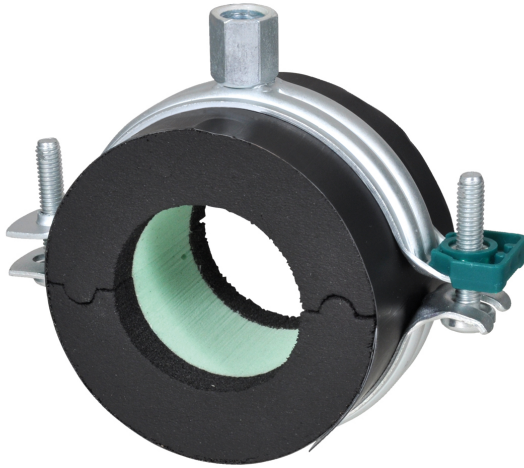


BISOFIX® E13

(D 05 05)

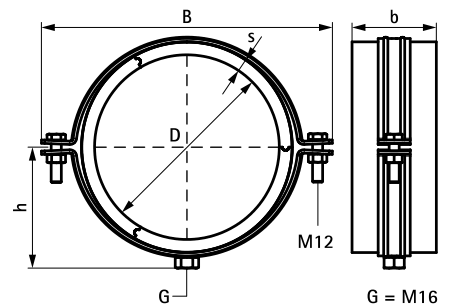
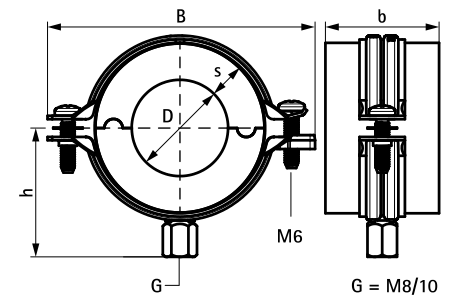
for insulated pipes 12.0 - 114.3 mm

M8/10 - M16



Features and benefits

- insulated pipe support with pipe clamp BIS Bifix® G2
- clamp with quick locking system
- for fixing of thermal isolated pipe of steel, copper or stainless steel
- vapour proof glueing to pipe insulation
- when installing the pipe support, always align the contact areas of the insulation shells horizontally (to prevent tensile and pressure forces)
- with self-adhesive strip for easy closing of pipe support
- material: steel clamp; pipe support made of PIR foam (core), synthetic rubber (sides) and a vapour-proof layer of black PVC
- does not contain CFC, HCFC, formaldehyde or cadmium
- excellent thermal and mechanical properties
- BIS Bifix G2 Clamp: surface protection:
 - product is part of the BIS UltraProtect® 1000 system
 - suitable for in- and outdoor applications
 - stands min. 1,000 hours salt spray test (max. 5% red rust) according to ISO 9227
- working temperature from -45 °C to +105 °C



Part No.	D (mm)	D (°)	DN	G	B (mm)	h (mm)	b (mm)	s (mm)	F _{a,z} (N)	Pack 1
2210012	12.0	-	-	M8/10	80	39	50	14.0	100	18
2210015	15.0 - 16.0	-	-	M8/10	80	39	50	13.0	100	18
2210017	17.2 - 18.0	3/8	10	M8/10	91	43	50	15.5	100	18
2210021	21.3 - 22.0	1/2	15	M8/10	97	45	50	15.5	100	18
2210027	26.9 - 28.0	3/4	20	M8/10	97	48	50	15.5	100	18
2210035	35.0	1	25	M8/10	110	53	50	16.5	100	18
2210042	42.4	1 1/4	32	M8/10	118	57	50	16.5	150	12
2210048	48.3	1 1/2	40	M8/10	125	60	50	16.5	225	12
2210054	54.0	-	-	M8/10	134	64	50	16.5	225	12
2210060	60.3	2	50	M8/10	142	68	50	17.5	350	12
2210064	64.0	-	-	M8/10	142	70	50	17.0	350	18
2210076	76.1	2 1/2	65	M8/10	155	76	50	17.5	575	18
2210089	88.9	3	80	M8/10	172	82	50	17.5	875	18
2210102	101.6	-	-	M8/10	181	89	50	17.5	1,000	30
2210108	108.0	-	-	M8/10	189	92	50	17.5	1,075	30
2210114	114.3	4	100	M8/10	189	95	50	17.5	1,250	30

Complementary

- BIS RapidRail® Fixing System
- BIS Fixing Accessories
- BIS Fastenings