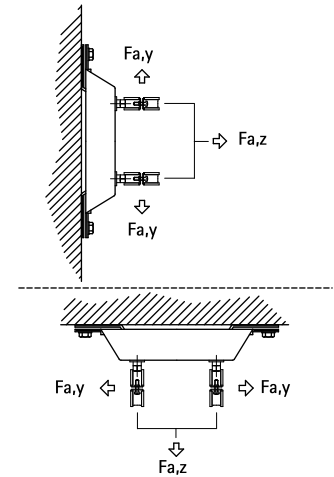
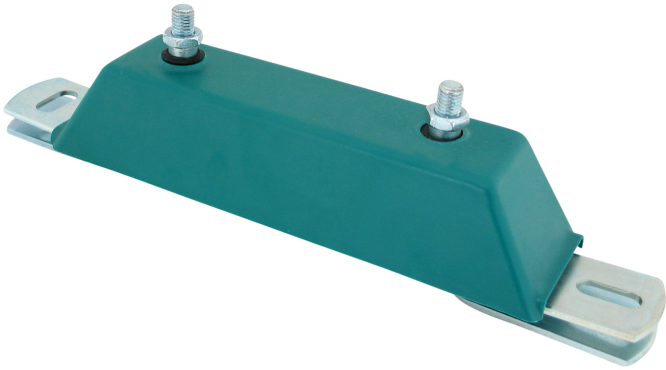


# BIS dB-FiX<sup>®</sup> 200 Fixing Point Assembly

(E 05 25)

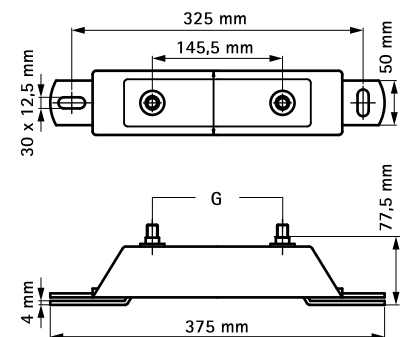
for noise insulation fixing point



## Features and benefits

- noise insulating fixing point for pipes up to Ø 8" (clamp BIS HD500 Ø 217 - 227 mm)
- zinc plated
- noise insulation by moulded EPDM rubber mat
- very stable
- material: steel
- sound insulating lining according to DIN 4109

Part No.	G	F <sub>a,z</sub> (N)	F <sub>a,y</sub> (N)	Pack 1
6693020	M12	7,000	6,600	5



## Complementary

Walraven RapidStrut<sup>®</sup> Fixing System  
 BIS dB-FiX<sup>®</sup> 80 / 200 Mounting Kit  
 BIS dB-FiX<sup>®</sup> 200 Stand-off Fixing Kit