

# BIS Ursus Foot Support System (BUP1000)

(1 04 20)

for Rooftop Installations



## Features and benefits

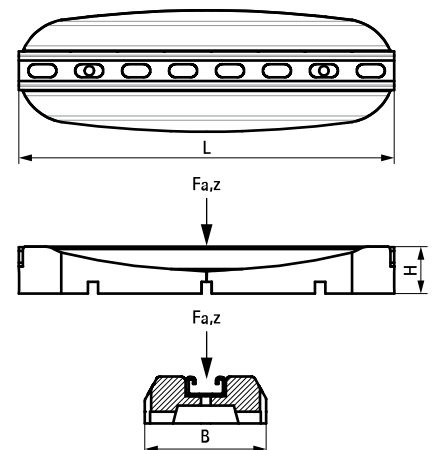
- for supporting small pipework systems, ductwork runs and cable trays
- to support climate installations, walkways on flat roofs, etc.
- does not penetrate the waterproof membrane (at PVC roofs a separating layer must be installed to protect against plasticizer migration - see Walraven BIS Yeti® Triplex Separation Layer)
- material: vulcanized rubber, black; Strut Rail made of steel 1.0242
- UV resistant
- Strut Rail: surface protection:
  - product is part of the BIS UltraProtect® 1000 system
  - suitable for in- and outdoor applications
  - stands min. 1,000 hours salt spray test (max. 5% red rust) according to ISO 9227



Part No.	Model	L	B (mm)	H (mm)	F <sub>a,z</sub> (N)	Pack 1
67687250	Horizontal, including rail	250 mm	130	50	1,000	1
67687400	Horizontal, including rail	400 mm	130	50	2,000	1
67687601	Horizontal, including rail	600 mm	200	50	3,000	1

For a detailed calculation and for support how to spread the load please contact Walraven Technical Support.

In cases where a foot is used in roof applications, the installer is obliged to verify maximum load capacity of roof before installation.



## Complementary

BIS Yeti® Triplex Separation Layer