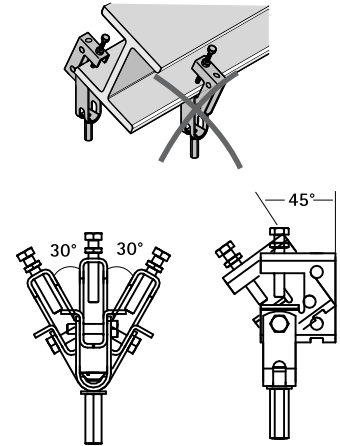
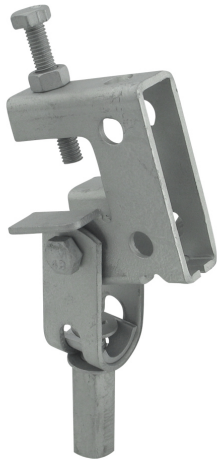


# BIS Swivel Beam Clamp Model E

(K 20 25)

for flange up to 24 mm



## Features and benefits

- multidirectional clamp
- for suspension of light components to pitched beams without welding or drilling
- up to flange thickness 24 mm
- articulation to 30° sideways, 45° forwards
- material: steel
- surface treatment: Dacromet

Part No.	A (mm)	G	Pack 1
6076000	≤24	M10	10

