

BIS Support Bracket Rectangular Ductwork

(F05 15)

for air ducts



412 5 001

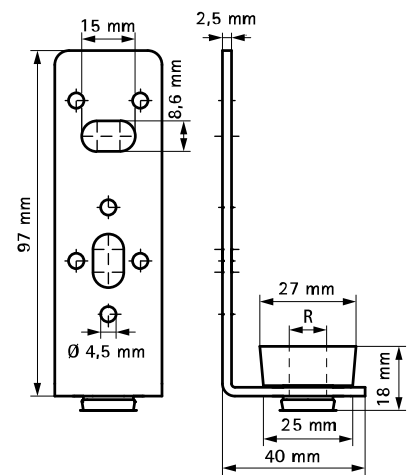


412 5 003

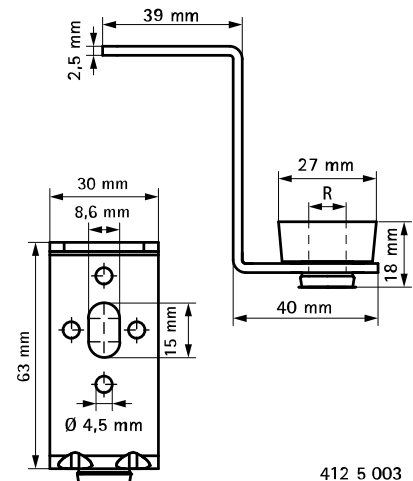
Features and benefits

- for fixing of rectangular air ducts
- with hole \varnothing 4.5 mm for pop-rivet connection
- material: metal parts made of steel; silent block made of TPE rubber, black
- sound insulating lining according DIN 4109
- zinc plated

Part No.	Type	R	F _{a,z} (N)	Pack 1
4125001	L	M10	490	50
4125003	Z	M10	230	50



412 5 001



412 5 003

Complementary

Walraven Fastenings
BIS Roofing Sheet Hanger VdS