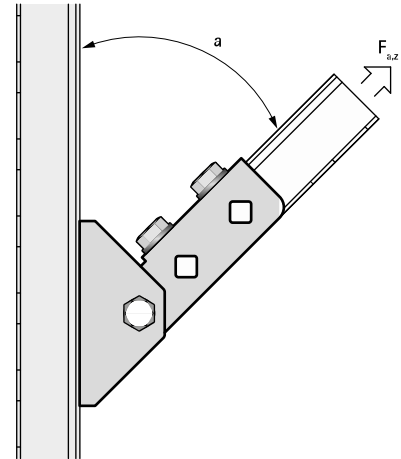
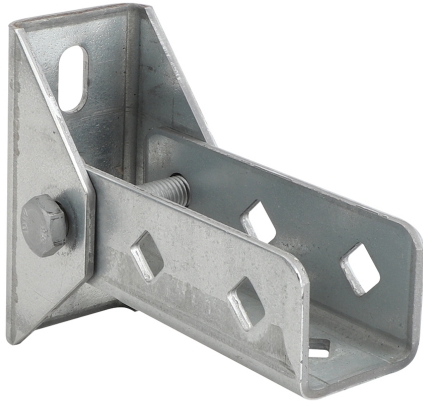


BIS Strut Wall Plate (Hinged) (BUP1000)

(H 12 25)

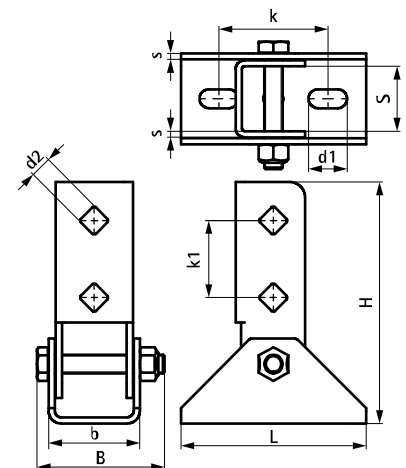
fixing to wall



Features and benefits

- wall plate with hinging U-profile
- for wall fixing of rail
- rail can be fixed with slot downwards or sideways
- also used to strengthen constructions with Strut 41x41
- material: steel 1.0332
- surface protection:
 - product is part of the Walraven BIS UltraProtect® 1000 system
 - suitable for in- and outdoor applications
 - stands min. 1,000 hours salt spray test (max. 5% red rust) according to ISO 9227

Part No.	L	B	H	b	s	d1	d2	S	k	k1	For Rail	F _{a,z}	Pack 1
		(mm)	(mm)	(mm)	(mm)	(mm)	(mm)	(mm)	(mm)	(mm)		(N)	
66588814	120 mm	83	157	59	4.0	25x12.2	13.8	42	71	50	Strut	2,500	10 *
Max. allowed load (F _{a,z}) under an angle of 45°. * Tested with rail 41x41x2.5 with throughbolts. More details can be found on the Technical Datasheet.													



Complementary

Walraven RapidStrut® Fixing Rail (pg)