

# BIS Strut Square Slide Nut

(H 24 30)

fixing to Strut rail

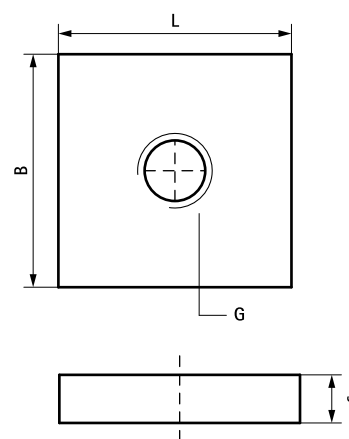


## Features and benefits

- material: steel 1.0332
- zinc plated
- tested for fire safety

Part No.	G	L	B (mm)	s (mm)	For Rail	F <sub>a,z</sub> (N)	F <sub>a,z 2</sub> (N)	Pack 1	Pack 2
6517016	M16	35 mm	35	10	Strut	5,000	15,000	50	250

*F<sub>a,z 2</sub> tested in profile 41x62x2,5 with BIS Strut Washers – U-shaped, art.nr. 66588016.*



### Complementary

Walraven RapidStrut® Fixing Rail DS 5  
(BUP1000)

### Alternative

BIS RapidStrut® Slide Nut with Plastic Tabs  
(BUP1000)  
BIS Strut Slide Nut (BUP1000)