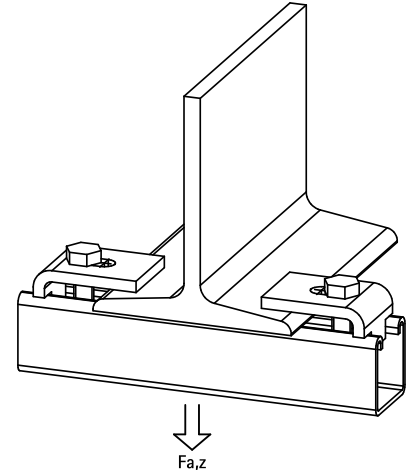


# BIS Strut Rail Beam Clamp

to make Strut rail fabrications

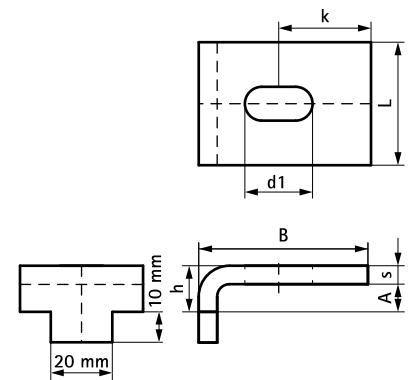
(H 36 15)



## Features and benefits

- for a solid fixing to steel construction
- material: steel 1.0332
- without the need for welding or drilling
- always use 2 beam clamps per fixing
- zinc plated

Part No.	A (mm)	L (mm)	B (mm)	h (mm)	s (mm)	d1 (mm)	k (mm)	F <sub>a,z</sub> (N)	Pack 1
66583761	15	40 mm	55	20	6.0	22 x 11	30	8,300	50



## Complementary

Walraven RapidStrut® Fixing Rail (pg)  
Walraven RapidStrut® Fixing Rail Double (pg)

## Alternative

BIS Strut 41x21D 'Heavy Duty' Set  
BIS Strut 'Heavy Duty' Beam Clamp  
BIS Strut Rail Beam Clamp