

BIS Strut Connector 90° (BUP1000)

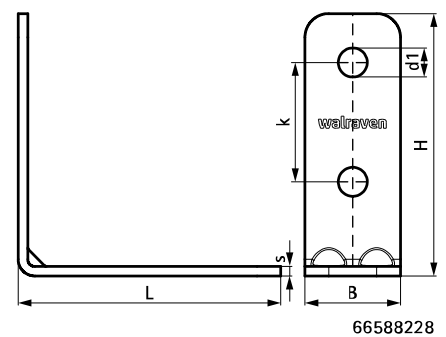
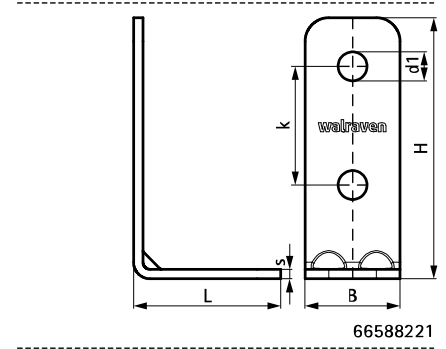
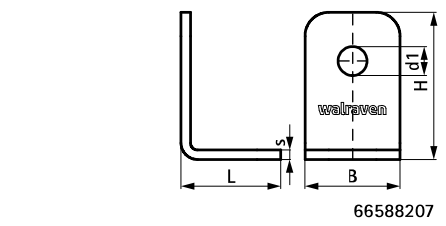
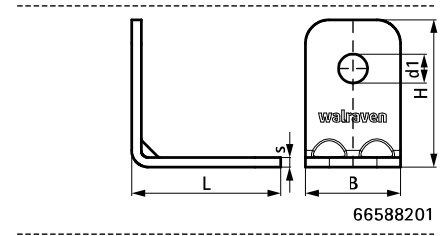
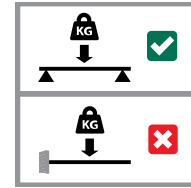
(H 28 13)



Features and benefits

- angle connector for all Strut rails to make fabrications
- the hole pattern is adapted to the hole pattern of Strut rails to use throughbolts
- user friendly by rounded edges
- with reinforced bend for extra strength
- material: steel 1.0242 (S250GD) + ZM310 MAC
- surface protection:
 - product is part of the Walraven BIS UltraProtect® 1000 system
 - suitable for in- and outdoor applications
 - stands min. 1,000 hours salt spray test (max. 5% red rust) according to ISO 9227

Part No.	Model	L	B	H	s	d1	k	a	Pack 1
			(mm)	(mm)	(mm)	(mm)	(mm)	(°)	
66588207	Short / short	42 mm	40	62	4.0	Ø 12.2	-	90	50
66588221	Short / long	62 mm	40	110	4.0	Ø 12.2	50	90	25
66588228	Long / long	110 mm	40	110	4.0	Ø 12.2	50	90	25
66588201	Short / short	62 mm	40	62	4.0	Ø 12.2	-	90	50



Complementary

- Walraven RapidStrut® Slide Nut with Plastic Tabs (BUP1000)
- BIS Washer (Flat) (BUP1000)
- BIS Yeti® 130 Support System

Alternative

- BIS RapidStrut® Rail Connector 90° G2 (BUP1000)
- BIS Strut Connector 90° / 2D (BUP1000)
- BIS Strut Connector 90° Rigid (BUP1000)