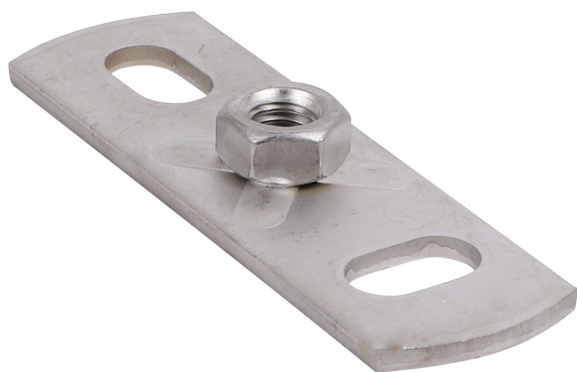


BIS Stainless Steel Wall Plate Resistance Welded

(M 65 05)

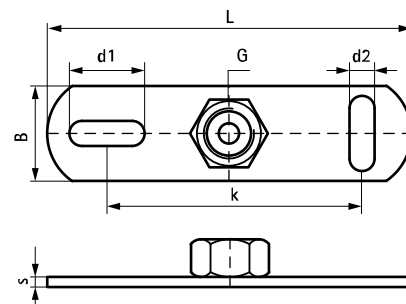
fixing to ceiling or floor



Features and benefits

- slots at 90° to each other to simplify fixing
- Part No. 6717010: CO₂ welded
- Part No. 670 7 0XX: material: stainless steel 1.4301 (AISI 304)

Part No.	G	L	B	s	d1	d2	k	F _{a,z}	Pack 1	Pack 2
			(mm)	(mm)	(mm)	(mm)	(mm)	(N)		
6707006	M6	80 mm	25	3.0	15 x 8.5	15 x 8.5	50	2,500	50	250
6707008	M8	80 mm	25	3.0	15 x 8.5	15 x 8.5	50	2,500	50	250
6707010	M10	80 mm	25	3.0	15 x 8.5	15 x 8.5	50	2,500	50	250



Complementary
BIS Stainless Steel Threaded Rod