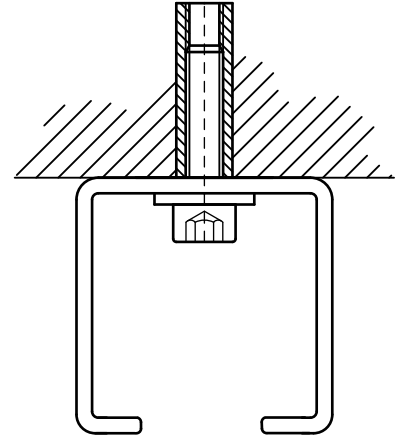


# BIS Socket Head Bolt (BUP1000)

(K 45 54)

fixing of rail

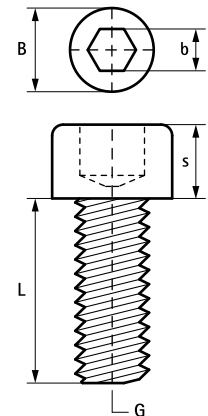


## Features and benefits

- for fixing of fixing rail
- material: steel, strength class 8.8
- surface protection:
  - product is part of the Walraven BIS UltraProtect® 1000 system
  - suitable for in- and outdoor applications
  - stands min. 1,000 hours salt spray test (max. 5% red rust) according to ISO 9227
- according to DIN 912

| Part No. | G   | L     | B<br>(mm) | b<br>(mm) | s<br>(mm) | Pack 1 |
|----------|-----|-------|-----------|-----------|-----------|--------|
| 61380825 | M8  | 25 mm | 13        | 6         | 8.0       | 200    |
| 61380860 | M8  | 60 mm | 13        | 6         | 8.0       | 200    |
| 61380880 | M8  | 80 mm | 13        | 6         | 8.0       | 100    |
| 61381025 | M10 | 25 mm | 16        | 8         | 10.0      | 200    |
| 61381030 | M10 | 30 mm | 16        | 8         | 10.0      | 200    |
| 61381230 | M12 | 30 mm | 18        | 10        | 12.0      | 100    |
| 61381260 | M12 | 60 mm | 18        | 10        | 12.0      | 100    |

*Required bolt or screw depends on rail hole pattern.*



### Complementary

- WDI1 Drop-in Anchor
- WDI1L Drop-in Anchor Lipped
- WDI1 Drop-in Anchor SSt

### Complementary

- WDI1 Setting Tool
- WBA Brass Anchor