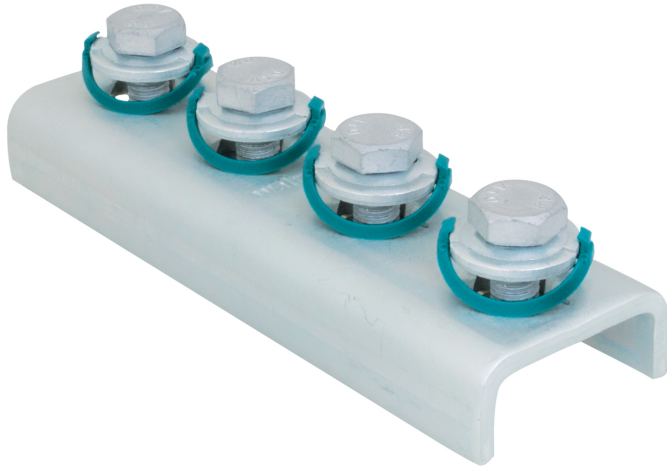


BIS RapidStrut® Rail Connector – U-shaped G2 (BUP1000)

(H 28 89)

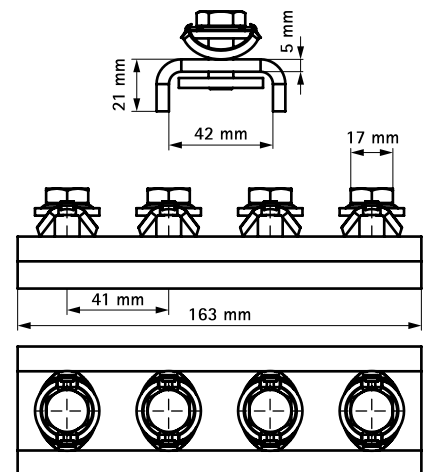
for Metal Structural Fabrications



Features and benefits

- connector with pre-assembled BIS RapidStrut® Slide nut(s)
- to make fabrication with Strut Rail
- ready-to-use pre-assembled for a quick fixing, and retains assembly in place before final tightening
- material: metal parts made of steel 1.0332; spring(s) made of POM (polyoxymethylene), green
- surface protection:
 - product is part of the Walraven BIS UltraProtect® 1000 system
 - suitable for in- and outdoor applications
 - stands min. 1,000 hours salt spray test (max. 5% red rust) according to ISO 9227

| Part No. | T _(inst.) (Nm) | For Rail | Pack 1 |
|-----------|------------------------------|----------|--------|
| 665885421 | 40.0 | Strut | 20 |



Complementary

Walraven RapidStrut® Fixing Rail DS 5
(BUP1000)

Alternative

BIS RapidStrut® Rail Connector G2
(BUP1000)