

# BIS RapidRail® Stainless Steel Cantilever Arm

(M 25 05)

fixing to wall or ceiling



6607120

6607230

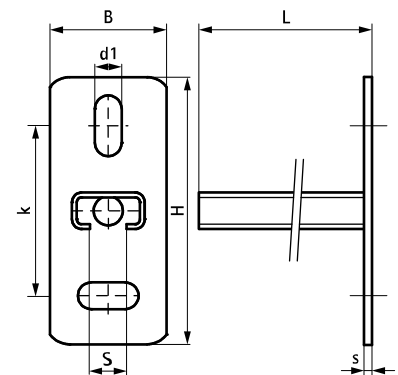
6607250

## Features and benefits

- wall plate with welded C-profile
- slots at 90° to each other to simplify fixing
- CO<sub>2</sub> welded
- material: stainless steel 1.4404 (AISI 316L)

| Part No. | L      | B    | H    | s1   | d1      | S    | k    | From rail | Pack 1 |
|----------|--------|------|------|------|---------|------|------|-----------|--------|
|          |        | (mm) | (mm) | (mm) | (mm)    | (mm) | (mm) |           |        |
| 6607120  | 200 mm | 48   | 110  | 5.0  | 25 x 11 | 15   | 70   | 30x15     | 20     |
| 6607230  | 300 mm | 48   | 110  | 5.0  | 25 x 11 | 15   | 70   | 30x30     | 10     |
| 6607250  | 500 mm | 48   | 110  | 5.0  | 25 x 11 | 15   | 70   | 30x30     | 20     |

*For more information about the max. allowed load ( $F_{a,z}$ ) please refer to the loading tables or our online datasheet 'Technical Details BIS RapidRail®'.*



## Complementary

- BIS Stainless Steel Rail Prop
- BIS RapidRail® Stainless Steel Slide Nut
- BIS RapidRail® Stainless Steel Hammerfix