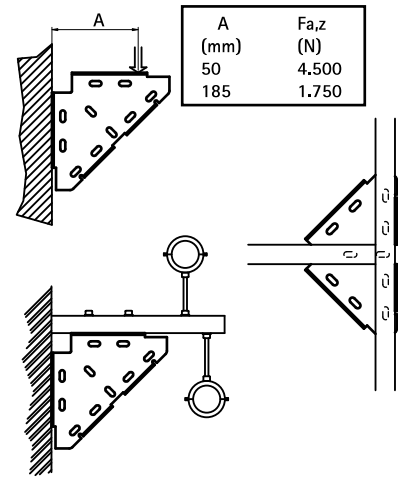
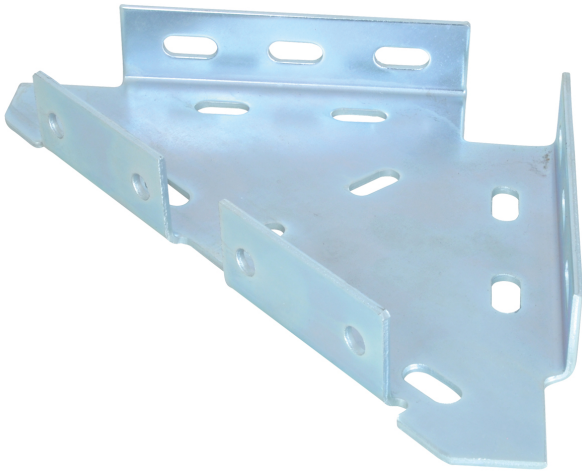


# BIS Rail Junction Angle Bracket (zp)

(G 20 15)

to make BIS RapidRail® fabrications



## Features and benefits

- one-part support
- for fixing support under, top or on side of a cantilever arm
- also used to strengthen rail constructions
- suitable for WMO, 1, 15, 2, 30
- material: steel
- zinc plated

Part No.	For Rail	Pack 1
6593010	WMO - 30	10
<i>Rail Junction Angle Bracket for WM35 Rail? See Part No. 659 3 020 (page H 16 25).</i>		

