

# BIS Rail Connector

to make BIS RapidRail® fabrications

(G 35 25)

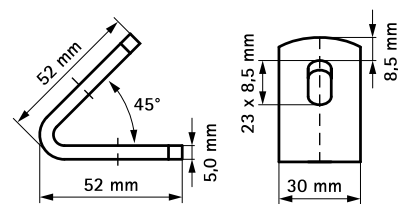
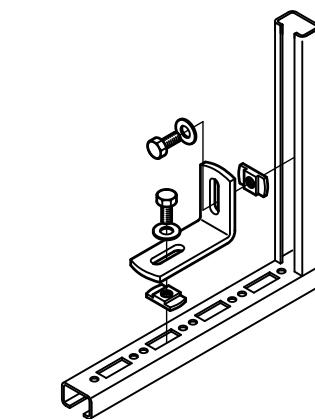


## Features and benefits

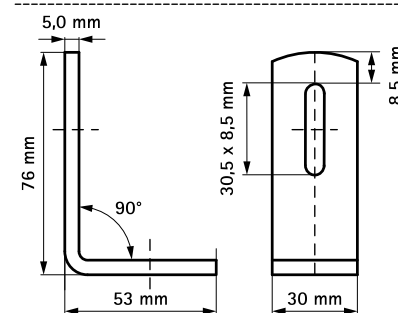
- to make rail fabrications
- suitable for WMO, 1, 15, 2, 30, 35

- material: steel
- zinc plated

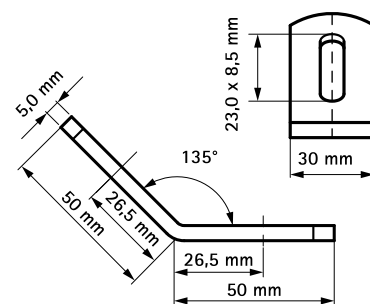
Part No.	a (°)	T <sub>(max.)</sub> (Nm)	For Rail	Pack 1
658 5 045	45°	15.0	WM1, 2	50
658 5 090	90°	15.0	WMO - 35	50
658 5 135	135°	15.0	WMO - 35	50



658 5 045



658 5 090



658 5 135

**Complementary**  
BIS RapidRail® Fixing Rail

**Alternative**  
BIS RapidRail® Connector 90°