

BIS Push-fit Saddle - Double (White)

(C 10 27)

for all pipes 8 - 28 mm

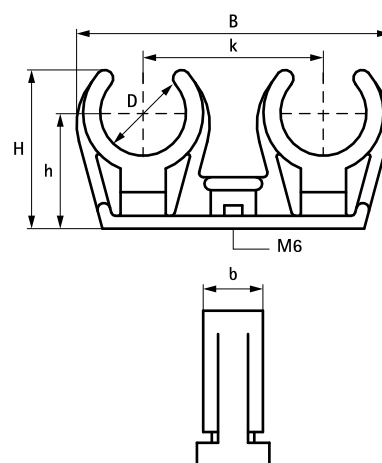
M6



Features and benefits

- one-part saddle
- for fixing of two pipes
- connection thread M6 made of brass
- material: PP (polypropylene), white (according to RAL 9016)
- fire class B2
- no corrosion, recyclable, resistant to UV and ageing
- temperature resistance from approx. -30 °C to approx. +90 °C (constant); short to approx. +110 °C

Part No.	D (mm)	D (°)	DN	G	B (mm)	H (mm)	h (mm)	b (mm)	k (mm)	Pack 1	Pack 2
0853208	8	-	-	M6	40	18	14	12	26	100	1,000
0853210	10	1/8	6	M6	45	20	17	12	28	100	1,200
0853212	12	-	-	M6	53	22	18	12	33	100	1,000
0853215	14 - 15	-	-	M6	60	26	19	12	36	100	1,000
0853218	16 - 18	3/8	10	M6	65	30	24	14	38	100	800
0853222	20 - 22	1/2	15	M6	73	32	28	14	42	50	500
0853228	28	3/4	20	M6	89	47	34	14	50	50	400



Alternative

- starQuick® Clamp (White)
- starQuick® Duo Wall Plate