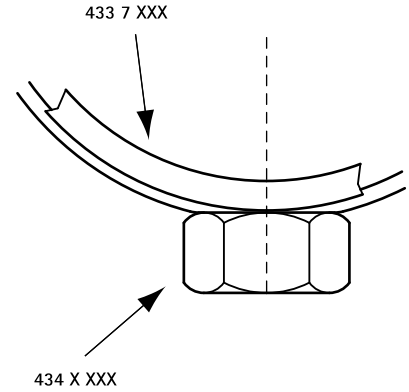


BIS Metal Liner 434 Clamp

40 - 315 mm

(B 35 30)



Features and benefits

- two-part identical clamp liners
- to create a rigid fixing point, suitable for pipe clamp for PE pipe type 434
- profiled
- material: chrome steel 1.4016 (AISI 430)

Part No.	D (mm)	DN	B (mm)	b (mm)	Pack 1
4337040	40	32	42	30	25
4337050	50	40	42	30	25
4337056	56	50	42	30	25
4337063	63	57	42	30	25
4337075	75	70	42	30	25
4337090	90	80	42	30	25
4337110	110	100	42	30	25
4337125	125	125	42	30	25
4337160	160	150	42	30	25
4337200	200	200	54	38	10
4337250	250	250	54	38	10
4337315	315	300	54	38	10

