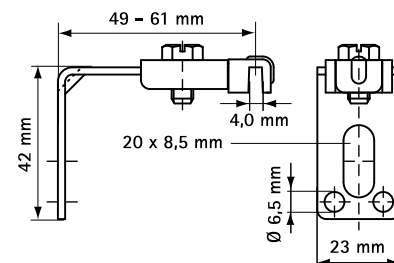
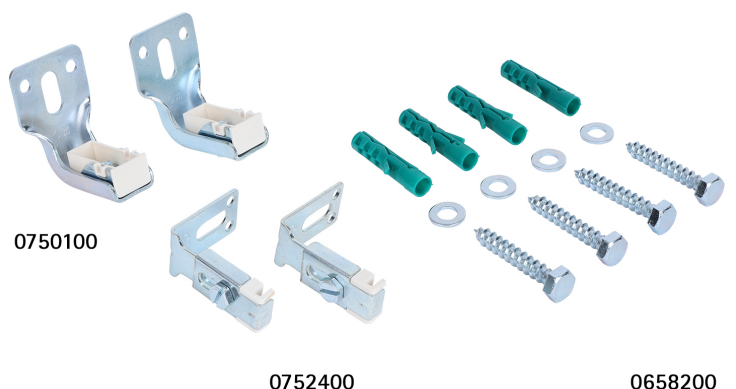


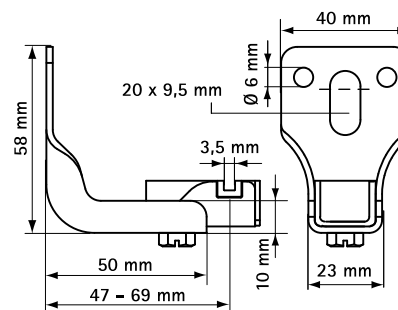
BIS Fixing Set for Isolated Radiator (OS1/ZVH)

(0 30 05)

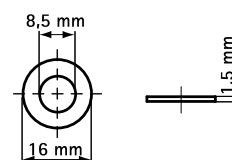
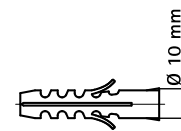
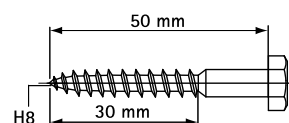
fixing of central heating radiators



075 2 400



075 0 100



065 8 200

Features and benefits

- fixing set (OS1 - ZVH) for radiators with sharp weld on top and side
- with plastic insert to prevent annoying noises
- support and slide provided with reinforcement groove
- material: metal parts made of steel; plastic parts made of POM (polyoxymethylene), creamcoloured; plug of PA (polyamide)
- zinc plated
- temperature resistance from -25 °C to +120 °C
- Part No. 0751001:
 - 2 Bottom supports (Part No. 0750100)
 - 2 Upper/Side supports (Part No. 0752400)
 - 1 Fixing set (Part No. 0658200)

Part No.	Model	Type	Pack 1	Pack 2
0751001	Fixing set for radiator	OS1/ZVH	50	-
0752400	Upper/Side support	7524	50	200
0750100	Bottom support	7501	50	200
0658200	Fixing set	6582	50	-

Parts also separately available.