

# BIS Expansion Device

(E 10 22)

fixing with sliding assemblies



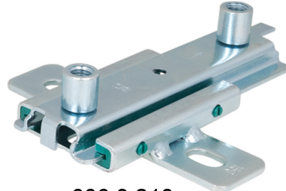
666 3 410



666 3 412



666 3 416



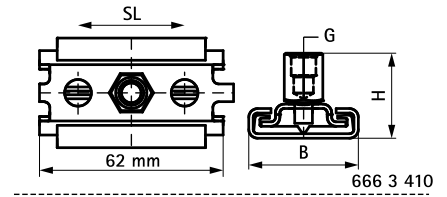
666 3 210

## Features and benefits

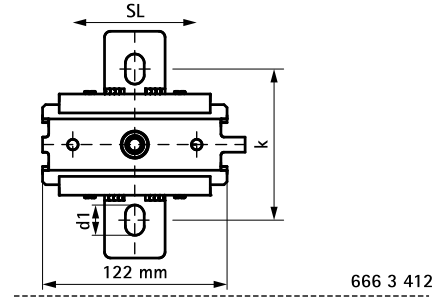
- single and double brackets for pipe extensions
- friction coefficient  $\mu = 0.18$ ; Sliding friction coefficient  $\mu = 0.14$
- fix directly on the building structure or in combination with rail systems
- zinc plated
- suitable for ceiling mounting (suspended) and floor mounting (standing mounted)
- temperature resistance up to  $+120\text{ }^{\circ}\text{C}$
- a variety of connection possibilities, can be combined with all pipe clamps
- Part No. 6663416: temperature resistance up to  $+240\text{ }^{\circ}\text{C}$
- material: metal parts made of steel; plastic parts made of POM (polyoxymethylene) / PPS (polyamphenylensulfid)

Part No.	Model	G	B	H	d1	k	SL (max.)	F <sub>a,z</sub>	F <sub>a,z 2</sub>	Pack 1
			(mm)	(mm)	(mm)	(mm)	(mm)	(N)	(N)	
6663410	Single	M8/10	37	29	8.4	-	42	700	700	50
6663412	Single	M10/12	150	46	20 x 12.5	100	80	2,300	2,300	10
6663416	Single	M12/16	188	57	20 x 12.5	157	120	5,000	9,000	10
6663210	Double	M10/12	150	46	20 x 12.5	100	140	2,300	2,300	10

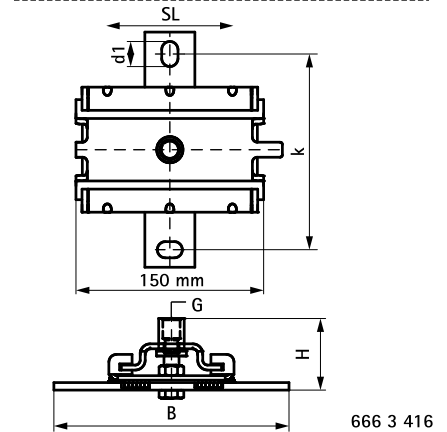
F<sub>a,z</sub> = standing mounted; F<sub>a,z 2</sub> = suspended.



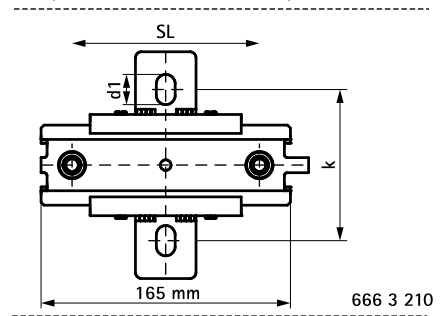
666 3 410



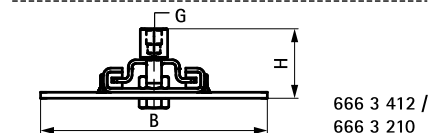
666 3 412



666 3 416



666 3 210



666 3 412 / 666 3 210

### Complementary

Walraven Stud Bolt  
Walraven Threaded Rod  
WDI1 Drop-in Anchor

### Complementary

WTB1 Throughbolt Anchor

### Alternative

BIS Expansion Device (BUP1000)  
BIS Expansion Guide Assembly (BUP1000)