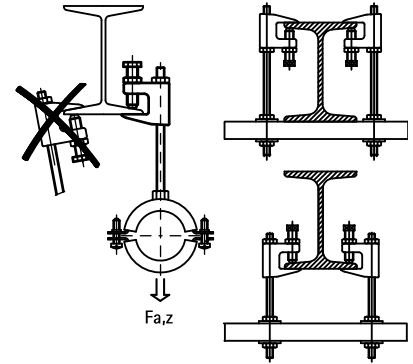


BIS Beam Clamp Model C

(K 20 05)

for flange up to 28 mm



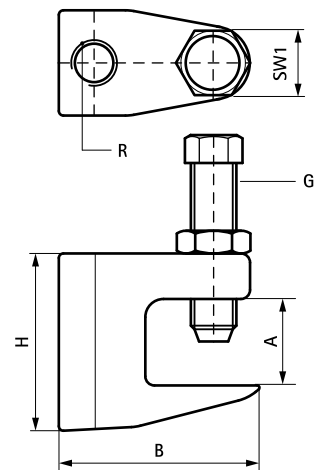
Features and benefits

- for a solid fixing to steel construction without the need for welding or drilling
- according to VdS-regulations an additional safety strap should be used when supporting pipes above DN65
- bolt with hexagon head according to DIN 933 strength class 8.8, screw point with cup ring according to EN ISO 4753 and lock nut
- material: beam clamp made of cast iron; bolt of hardened steel, nut of steel, zinc plated
- see also: BIS Safety Strap (page K 20 06)



| Part No. | Code | A (mm) | R | G | B (mm) | H (mm) | SW1 (mm) | F _{a,z} (N) | FM | UL | VdS | Pack 1 |
|----------|-----------|-----------|---------|-----|-----------|-----------|-------------|-------------------------|----|----|-----|--------|
| 6003206 | TKN8-M6 | ≤18 | M6 | M8 | 38 | 35 | 13 | 1,200 | - | - | - | 50 |
| 6003006 | TK10-M6 | ≤23 | M6 | M10 | 50 | 45 | 17 | 2,500 | - | - | - | 50 |
| 6003208 | TKN8-M8 | ≤18 | M8 | M8 | 38 | 35 | 13 | 1,200 | - | - | VdS | 50 |
| 6003008 | TK10-M8 | ≤23 | M8 | M10 | 50 | 45 | 17 | 2,500 | - | - | VdS | 50 |
| 6003010 | TKN10-M10 | ≤20 | M10 | M10 | 44 | 42 | 17 | 2,500 | FM | UL | VdS | 50 |
| 6003310 | TK16-M10 | ≤28 | M10 | M12 | 58 | 58 | 19 | 2,500 | FM | UL | VdS | 25 |
| 6003012 | TK12-M12 | ≤26 | M12 | M10 | 58 | 54 | 17 | 3,500 | FM | UL | VdS | 25 |
| 6003016 | TK16-M16 | ≤28 | M16 | M12 | 58 | 58 | 19 | 5,500 | FM | UL | VdS | 25 |
| 6003905 | TKN8-D9 | ≤18 | ∅ 9 mm | M8 | 38 | 35 | 13 | 1,200 | - | - | VdS | 50 |
| 6003908 | TK10-D9 | ≤23 | ∅ 9 mm | M10 | 50 | 45 | 17 | 2,500 | - | - | VdS | 50 |
| 6003910 | TKN10-D11 | ≤20 | ∅ 11 mm | M10 | 44 | 42 | 17 | 2,500 | FM | UL | VdS | 50 |
| 6003912 | TK12-D13 | ≤26 | ∅ 13 mm | M10 | 58 | 54 | 17 | 3,500 | FM | UL | VdS | 25 |

Tighten the set screw with hand and apply a further 1/2 turn with a spanner. Tighten counter nut with hand and apply a further 1/8 turn with a spanner. Certificates available on request.



Complementary

BIS Safety Strap for Beam Clamp Model C