

Walraven Strut Rubber Strip

(H 39 20)

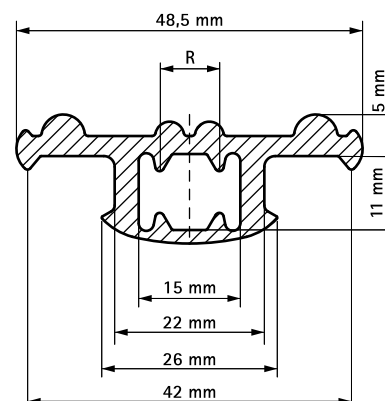
noise insulation lining for Strut rail



Features and benefits

- noise insulating lining for rail
- also usable for threaded rod M6, M8 or M10
- chlorine free and resistant to ageing
- resistant to ozone, UV, weather and sea water
- shore A hardness 70 ±5
- building material class B2 according to DIN 4102-1 and class E according to EN 13501-1
- temperature resistance from -30 °C to +110 °C
- material: EPDM rubber, black
- sound insulating lining according to DIN 4109

Part No.	R	L	For Rail	Pack 1
6568041	1/4 - 1/2"	30 m	Strut	30
6568042	1/4 - 1/2"	50 mm	Strut	50



Complementary

- Walraven RapidStrut® Cantilever Arm (BUP1000)
- Walraven RapidStrut® Fixing Rail (pg)
- Walraven RapidStrut® Fixing Rail DS 5 (BUP1000)