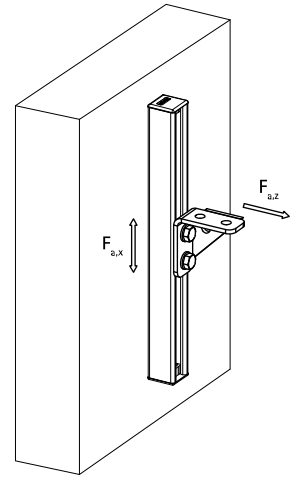


Walraven Strut Connector 90° Rigid (BUP1000)

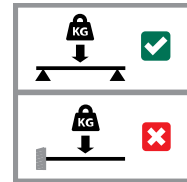
(H 28 25)

to make Strut rail fabrications



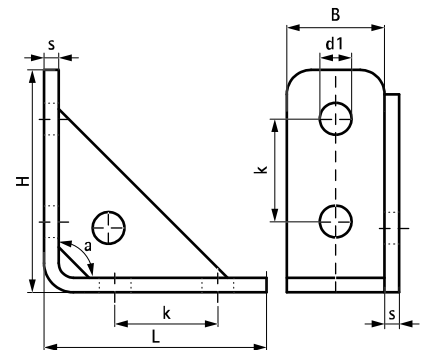
Features and benefits

- reinforced connector to make rigid fabrications with Strut rails
- easy fitting due to rounded edges
- material: steel 1.0332
- surface protection:
 - product is part of the Walraven BIS UltraProtect® 1000 system
 - suitable for in- and outdoor applications
 - stands min. 1,000 hours salt spray test (max. 5% red rust) according to ISO 9227



Part No.	L	B	H	s	d1	k	a	For Rail	F _{a,z}	F _{a,z 2}	F _{a,x}	F _{a,x 2}	Pack 1
		(mm)	(mm)	(mm)	(mm)	(mm)	(°)		(N)	(N)	(N)	(N)	
66588291	91 mm	40	91	6	∅ 13	42	90°	Strut	4,000	8,000	3,000	7,000	25

F_{a,z}: max. allowed load acc. RAL GZ-655D (with rail 41x41x1.5).
F_{a,z2}: max. allowed load (with rail 41x41x2.5).
F_{a,x}: max. allowed load acc. RAL GZ-655D (with rail 41x41x1.5 and bolted 2 x M12 - 30Nm).
F_{a,x2}: max. allowed load (with rail 41x41x2.5 and bolted 2 x M12 - 60Nm).



Complementary

Walraven RapidStrut® Fixing Rail (pg)