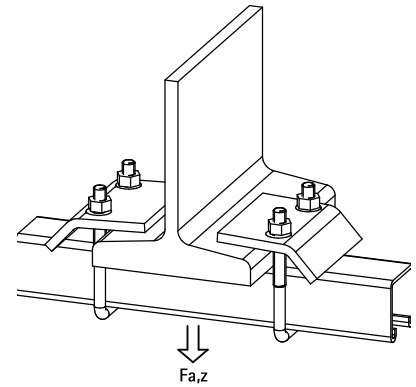


# Walraven Strut Rail Beam Clamp

(H 36 05)

to make Strut rail fabrications

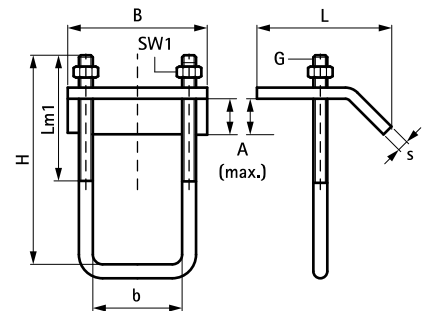


## Features and benefits

- for a solid fixing to steel construction
- hot dip galvanized
- without the need for welding or drilling
- always use 2 beam clamps per fixing
- material: steel 1.0332

| Part No. | A<br>(mm) | G   | L     | B<br>(mm) | H<br>(mm) | b<br>(mm) | s<br>(mm) | Lm1<br>(mm) | SW1<br>(mm) | T <sub>inst</sub><br>(Nm) | For Rail  | F <sub>a,z</sub><br>(N) | Pack 1 |
|----------|-----------|-----|-------|-----------|-----------|-----------|-----------|-------------|-------------|---------------------------|---|-------------------------|--------|
| 66581711 | 17.5      | M10 | 69 mm | 80        | 90        |           | 5.5       | 60          | 17          | 15                        | Strut 41x21<br>+ 41x41 +<br>41x21D                        | 5,700                   | 25     |
| 66581721 | 20.0      | M10 | 69 mm | 80        | 130       | 44        | 6.0       | 75          | 17          | 15                        | Strut 41x62<br>+ 41x82 +<br>41x41D +<br>DS 5 (41 x<br>51) | 5,700                   | 25     |

Also available in stainless steel 1.4401 (AISI 316).



## Complementary

- Walraven RapidStrut® Fixing Rail (pg)
- Walraven RapidStrut® Fixing Rail DS 5 (BUP1000)
- Walraven RapidStrut® Fixing Rail Double (pg)

## Alternative

- Walraven Strut 'Heavy Duty' Beam Clamp