

Rubber Lined Clevis Hanger

(A 17 305)

22 - 755 mm

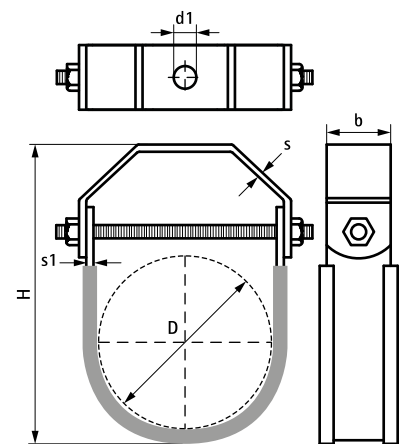


Features and benefits

- designed for chilled water pipe work and fire fighting systems
- design permits vertical adjustment of pipe after installation
- hanger load nut above clevis must be tightened securely to ensure proper hanger performance
- material: steel
- electrogalvanized as per ASTM B 633 Standards (SC3)
- temperature resistance from -20 °C to +110 °C
- noise insulating lining, EPDM rubber, black
- noise reduction up to 18dB (A)
- designed to meet MSS Standard SP-58, type 10 and SP-69



Part No.	D (mm)	D (°)	Bolt	H (mm)	b (mm)	s (mm)	s1 (mm)	d1 (mm)	F _{a,z} (N)	FM	UL	Pack 1
DM C22 2 022	22	1/2	M8 x 60 mm	73	25	3.0	3.0	10	4,000	FM	UL	125 *
DM C22 2 028	28	3/4	M8 x 68 mm	79	25	3.0	3.0	10	4,000	FM	UL	125 *
DM C22 2 035	35	1	M8 x 78 mm	85	25	3.0	3.0	10	4,000	FM	UL	125 *
DM C22 2 040	42	1 1/4	M8 x 82 mm	95	25	3.0	3.0	10	4,000	FM	UL	125 *
DM C22 2 048	48	1 1/2	M8 x 88 mm	103	25	3.0	3.0	10	4,000	FM	UL	100 *
DM C22 2 060	60	2	M10 x 110 mm	120	25	3.0	3.0	10	4,000	FM	UL	75 *
DM C22 2 075	73	2 1/2	M10 x 125 mm	149	25	4.0	4.0	10	6,500	FM	UL	60 *
DM C22 2 090	89	3	M10 x 140 mm	176	25	4.0	4.0	10	6,500	FM	UL	50 *
DM C22 2 100	105	3 1/2	M10 x 155 mm	176	25	4.0	4.0	10	6,500	FM	UL	40 *
DM C22 2 115	115	4	M10 x 170 mm	201	32	6.0	6.0	10	8,000	FM	UL	20 *
DM C22 2 140	140	5	M12 x 195 mm	235	32	6.0	6.0	12	8,000	FM	UL	15 *
DM C22 2 168	168	6	M12 x 225 mm	269	40	6.0	5.0	12	11,000	FM	UL	10 *
DM C22 2 219	219	8	M12 x 275 mm	341	40	6.0	5.0	12	11,000	FM	UL	15 *
DM C22 2 273	273	10	M16 x 360 mm	422	40	6.0	6.0	16	11,000	-	-	10
DM C22 2 323	323	12	M20 x 420 mm	493	50	9.0	6.0	20	15,000	-	-	6
DM C22 2 355	355	14	M20 x 455 mm	559	50	9.0	6.0	20	15,000	-	-	6
DM C22 2 406	613	16	M24 x 510 mm	613	65	12.0	6.0	24	17,500	-	-	3
DM C22 2 457	457	18	M24 x 555 mm	678	65	12.0	6.0	24	17,500	-	-	3
DM C22 2 508	508	20	M24 x 610 mm	718	75	12.0	9.0	30	22,000	-	-	2
DM C22 2 610	610	24	M24 x 710 mm	853	75	16.0	9.0	30	27,000	-	-	2
DM C22 2 755	755	30	M24 x 890 mm	998	75	19.0	9.0	30	30,000	-	-	1



* = Made in UAE.

Hot Dip Galvanized and Stainless Steel option available on request.

The sizes of the Clevis Hangers can be modified to be used with Rubber Support Inserts.

Custom made Clevis Hangers are available on request.