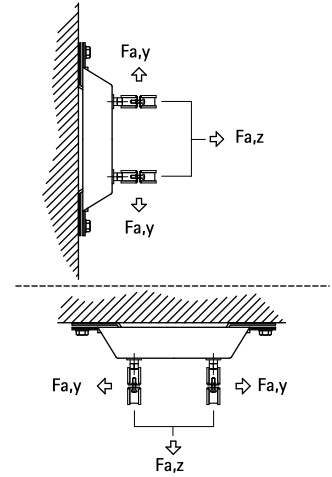
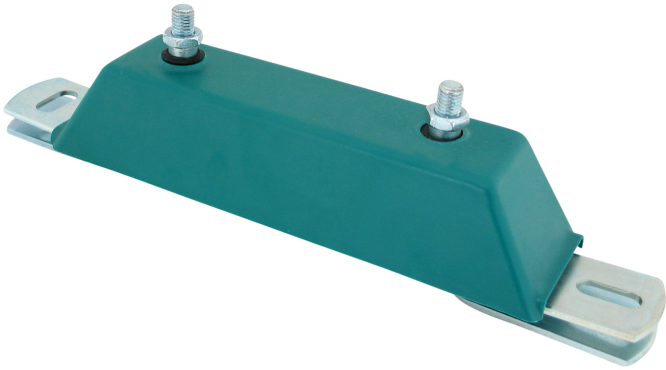


BIS dB-FiX[®] 200 Fixing Point Assembly

(E 05 25)

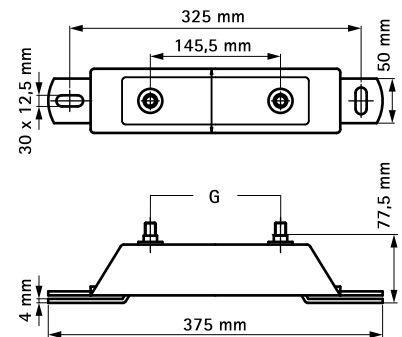
for noise insulation fixing point



Features and benefits

- noise insulating fixing point for pipes up to Ø 8" (clamp BIS HD500 Ø 217 - 227 mm)
- zinc plated
- noise insulation by moulded EPDM rubber
- very stable
- sound insulating lining according to DIN 4109
- material: steel

Part No.	G	F _{a,z} (N)	F _{a,y} (N)	Pack 1
6693020	M12	7,000	6,600	5



Complementary

Walraven RapidStrut[®] Fixing System
 BIS dB-FIX[®] 80 / 200 Mounting Kit
 BIS dB-FIX[®] 200 Stand-off Fixing Kit