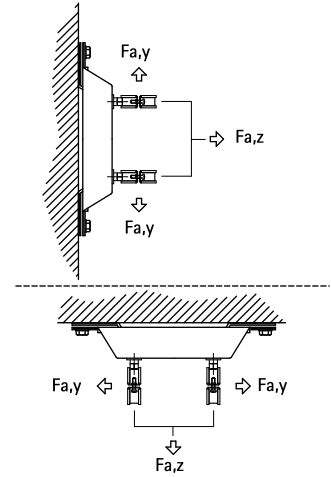
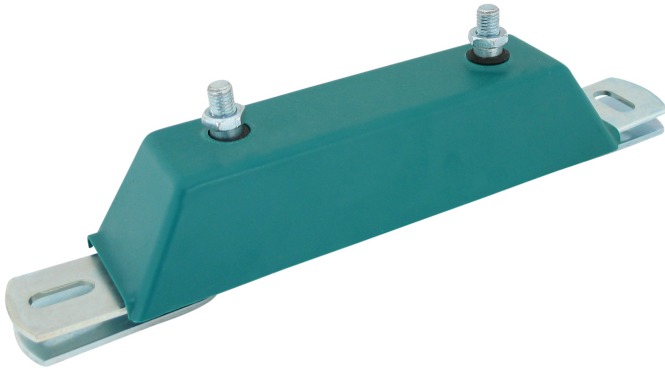


# BIS dB-FiX<sup>®</sup> 200 Fixing Point Assembly

for noise insulation fixing point

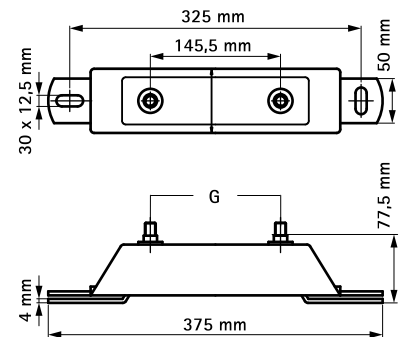
(E 05 25)



## Features and benefits

- noise insulating fixing point for pipes up to Ø 8" (clamp BIS HD500 Ø 217 - 227 mm)
- zinc plated
- noise insulation by moulded EPDM rubber
- very stable
- sound insulating lining according to DIN 4109
- material: steel

Part No.	G	F <sub>a,z</sub> (N)	F <sub>a,y</sub> (N)	Pack 1
6693020	M12	7,000	6,600	5



## Complementary

- BIS RapidStrut<sup>®</sup> Fixing System
- BIS dB-FiX<sup>®</sup> 80 / 200 Mounting Kit
- BIS dB-FiX<sup>®</sup> 200 Stand-off Fixing Kit